

PROCENTEC



Repeater B1

Installation manual

Content

- 1. Introduction..... 3
- 2. Installation instructions 4
- 3. Power supply 5
- 4. PROFIBUS..... 5
- 5. Other PROCENTEC products..... 9
- 6. Sales offices and distributors..... 11
- 7. About PROCENTEC..... 16

1. Introduction

The compact PROFIBUS DP Repeater B1 offers an economic alternative and tackles the technological limitations of the existing repeaters. This first-class network component fulfils the electrical, mechanical and diagnostic requirements of the demanding modern industry.

The advanced 12 Mbps core of the B1 is identical to the ProfiHub; it can be cascaded unlimitedly and is equipped with the latest isolated RS 485 interface. The data is constantly monitored for glitches which are digitally filtered out. Every channel has on-board switchable termination and can drive 31 devices.

The removable screw terminals of the PROFIBUS interface are pinned-out in a way that reversal mounting does not impact existing wiring. A DB9 connector is provided for ProfiTrace or other maintenance/engineering tools.

The power supply is redundant which makes it suitable for applications in which high availability is required and consumes relatively low power which helps the environment.

2. Installation instructions

Location

The B1 can be installed everywhere in a non-hazardous area that complies with IP 20 (DIN 40 050) and the specified temperature range of -20 to +60 ° Celsius.

Position

The B1 can be installed in every position, but it is recommended to install it with Channel 2 pointing down. In this position it is easier to read the status display and to perform measurements on the DB9 connector.

Mounting and dismounting

The B1 has to be mounted on a 35 mm DIN-rail with a minimum width of 60 mm. Fig. 1 and Fig. 2 illustrate how to mount and dismount the B1 on and from the DIN-rail.

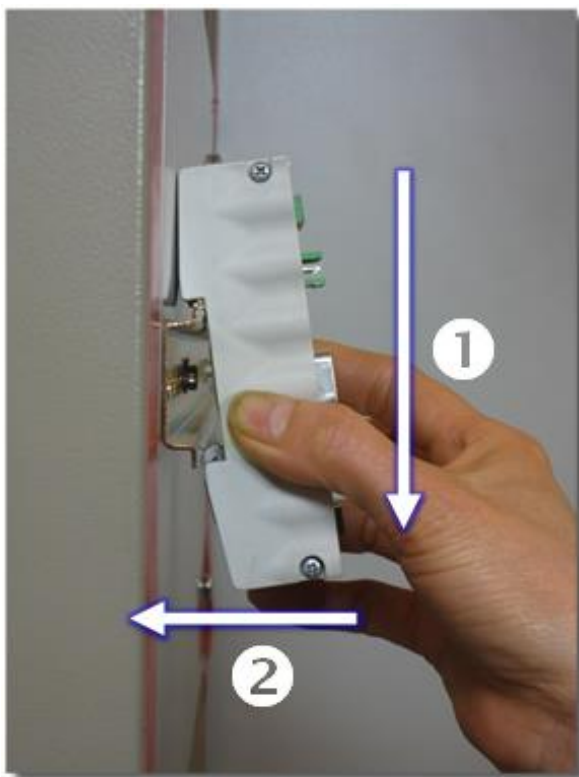


Fig. 1 Mounting; pull-down and push

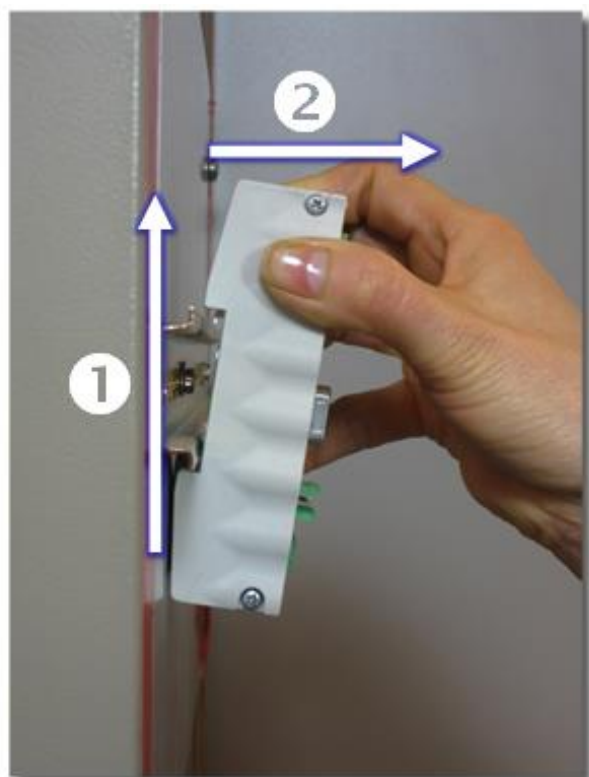


Fig. 2 Dismounting; Push-up and pull

3. Power supply

Parameters

The power supply has to comply with the following specifications:

Voltage: **19 to 28 Vdc**

Current: **Min. 65 mA**

Wiring

The leads of both power connectors have to be wired as follows:

“+” = Positive Voltage

“-” = 0 V

SH = Earth

Redundancy

Both power connectors are linked 1-on-1 to the internal power supply of the B1. If 1 power supply would fail, the other takes over without delay time. When redundancy is not required, it is sufficient to use 1 power connector. When the B1 is flipped 180°, the connectors can be used without alteration. Fig. 3 illustrates the location of the power supply connectors.

4. PROFIBUS

Connectors

Each channel has 2 connectors (IN and OUT). They are both linked 1-on-1 when the termination is OFF.

When a channel of the repeater is NOT the last device on the segment, it doesn't matter which connector is utilized.

When the termination is ON the OUT connector is NOT connected.

When the B1 is flipped 180°, the wired connectors can be used without alteration.

Pin layout

Pin “A1/2”: Green wire

Pin “B1/2”: Red wire

Pin “SH”: Cable shielding

Termination

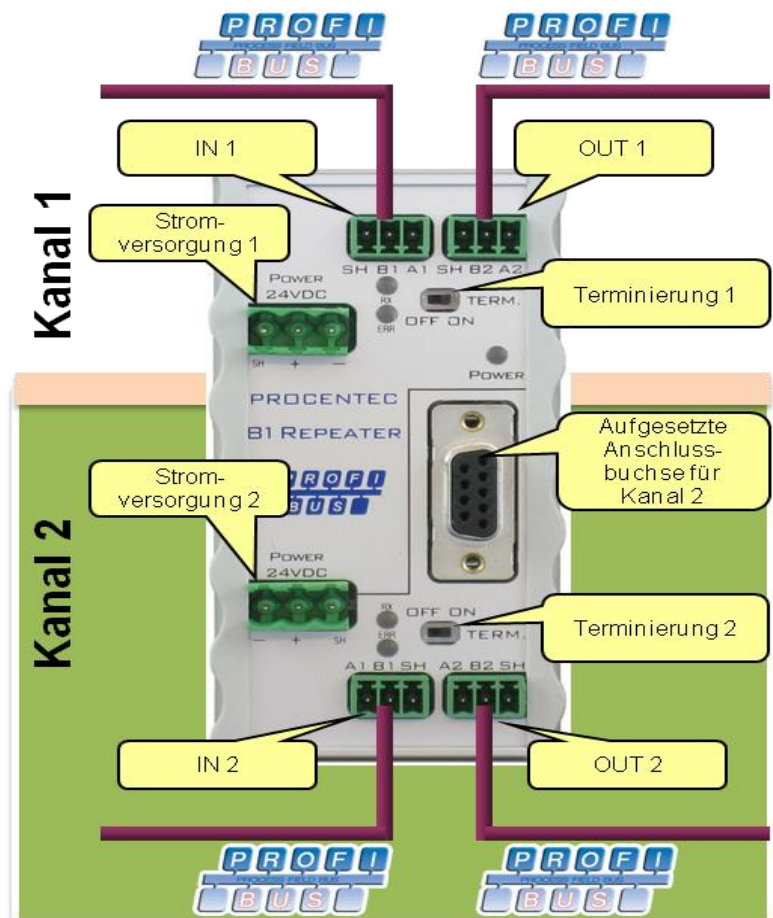


Fig. 3 Structures of the B1

Each channel has its own termination which can be switched ON/OFF.

Piggy back connector

The piggy back connector is 1-on-1 with channel 2.



Ground Clip

It is recommended to use the supplied GC-01 ground clip to attach the cable shield to the screw connector, as shown in fig. 4, for easier shield connection and better strain relief.

The Ground Clip GC-01 can be ordered separately per 25pcs with order code: **101-00201B**.

Fig. 4 Using the Ground Clip

Diagnose-LEDs

	OFF	Blinking	ON
POWER	☹️ Power is OFF or an internal failure.	⚠️ Power supply not stable or an internal failure.	😊 Power supply OK.
RX	☹️ No communication detected (this Channel).	😊 1 or more devices communicating (this Channel).	😊 1 or more devices communicating (this Channel).
ERR	😊 No problem has been detected.	⚠️ Communication problem (this Channel).	⚠️ Communication problem (this Channel).

Technical Data Compact PROFIBUS DP Repeater B1

Dimensions and weight

Dimensions L x W x H (mm)

106 x 55 x 33 mm (without plugs)

106 x 55 x 55 mm (with plugs)

Weight

Approximately 125 g

Ambient conditions	
Operating temperature	-20 to +60° Celsius
Isolation class	IP 20 (DIN 40 050)

Protocol specifications	
Supported Protocols	DP-V0, DP- V1, DP-V2, FDL, MPI, FMS, PROFIsafe, PROFIdrive and any other FDL based protocol.
Transmission speed	9,6 kbps to 12 Mbps (including 45,45 kbps)
Transmission speed detection	Auto detect
Transmission speed detection time	< 10 s
Data delay time	1,5 TBit at 9,6 kbps to 3 Mbps 2,5 TBit at 6 Mbps 3,5 TBit at 12 Mbps
Delay time jitter	Max. ¼ bit time
PROFIBUS cable specifications	
Cable lengths	1200 m at 9,6 kbps to 93,75 kbps 1000 m at 187,5 kbps 400 m at 500 kbps 200 m at 1,5 Mbps 100 m at 3 Mbps to 12 Mbps
Wire diameter	< 2,5 mm ²
Wire type	Stranded or Solid core
Number of devices	Max. 31 per channel (including ProfiHubs, OLMs, PCs, etc.)
Termination	Integrated and switchable. Powered according to IEC 61158 (390/220/390 Ohms)
Cascading depth	No limits
Power supply specifications	
Nominal supply voltage	19 to 28 Vdc
Current consumption	65 mA at 24 Vdc
Power dissipation	Max. 2 W
Redundancy	Yes (Power 1 <u>OR</u> Power 2)

Power LED	Power 1 <u>OR</u> Power 2
Reverse polarity protection	Yes
Wire diameter	< 2,5 mm ²

5. Other PROCENTEC products

PROFINET Cable Tester

- Suitable for 4- and 8-wire PROFINET and regular Ethernet cables
- Suitable for straight and 90°, metal or plastic PROFINET plugs
- Tests cable shielding
- Detects short circuits, wire breaks, swaps, miswiring and split pairs
- Large LCD clearly indicates the test results
- 150 hours on one 9 V battery
- Operating temperature: 0 to 50 °C
- Just 1-key-press to start continuous testing
- It can also test telephone and coax cable



www.profinetcabletester.com

Compact PROFIBUS Repeater

- Single channel PROFIBUS repeater
- Transparent
- Increased signal strength
- 12 Mbps
- Auto baudrate detection
- Redundant power supply
- Digital glitch filtering
- No limit in cascading
- Integrated switchable termination
- Diagnostic LEDs
- DB9 connector for measurements
- **IP 20 with DIN-rail mounting**



www.procentec.com/profihub/b1/en

ProfiHub B5+R

- 6 galvanically isolated channels
- Configurable grounding system
- Redundant power supply
- Bus redundancy option
- Star, tree and bus structured networks
- Alarm contact
- Monitoring port per channel
- IP20
- Certifications: UL Listed, DNV, FCC, CE

www.procentec.com/products/profihub



ProfiHub A5

- 5 Isolated channels
- Transparent
- Increased signal strength
- 31 devices per channel
- 12 Mbps
- 1200 m spur line length
- No address required
- Integrated switchable termination
- IP 65 classification

www.procentec.com/profihub



The productname (for example ProfiHub A5) has its own style: 1B Productname. The properties of this style are the same as those of the style '1 Paragraph' with the distinction that the productname will not appear in the content.

6. Sales offices and distributors

HEADQUARTERS

PROCENTEC
Klopperman 16
2292 JD WATERINGEN
Netherlands

T: +31 (0)174 671 800
F: +31 (0)174 671 801
E: info@procentec.com
W: www.procentec.com

ARGENTINA

eFALCOM
Alcorta 2411
B1744 - Moreno
Buenos Aires
Argentina

T: +54 237 46 31 151
F: +54 237 46 31 150
E: santiago.falcomer@efalcom.com
W: www.efalcom.com

AUSTRIA

RELISTE
Enzersdorfer Straße 8-10
A-2345 Brunn am Gebirge
Austria

T: +43 2236 315 25-25
F: +43 2236 315 25-60
E: office@reliste.at
W: www.relise.at

AUSTRALIA

IS Systems Pty Limited
14 Laverick Ave.,
Tomago
NSW, Australia, 2322

T: +61 2 4964 8548
F: +61 2 4964 8877
E: fritz.woller@issystems.com.au
W: www.issystems.com.au

Pentair Flow Control Pacific
1 Percival Road
Smithfield
NSW, Australia, 2164

T: +61 2 4448 0466
F: +61 2 4423 3232
E: sharee.hazell@pentair.com.au
W: www.profibuscentre.com.au

BELGIUM and LUXEMBOURG

Bintz Technics N.V.
Brixtonlaan 23
B-1930 Zaventem
Belgium

T: +32 2 720 49 16
F: +32 2 720 37 50
E: bloemen@bintz.be
W: www.bintz.be

BRAZIL

Westcon Instrument. Indl Ltda
Rual Alvaro Rodrigues, 257
São Paulo – SP
Brazil - CEP 04582-000

T: +55 11 5561-7488
F: +55 11 5093-2592
E: paolo@wii.com.br
W: www.wii.com.br

CANADA

Streamline Process Management Inc.
#3, 4351 – 104 Ave SE
Calgary, Alberta T2C 5C6
Canada

T: +1 403 225 1986
F: +1 587 585 2828
E: admin@streamlinepm.com
W: www.streamlinepm.com

CHILE

RP Ingeniería Limitada
Tucapel 92 oficina 52
Concepción
Chile

T: +56 41 246 93 50
F: +56 41 252 25 92
E: rodrigopinto@rpingeneria.cl
W: www.rpingeneria.cl

CHINA

PROCENTEC Beijing
Room E-1115 WangJingYuan YouLeHui
ChaoYang
Beijing
China

T: +86 (10)847 669 11 / +86 (10) 847 873 11
F: +86 (10)847 667 22
E: info@procentec.net
W: www.procentec.net

CZECH REPUBLIC

FOXON s.r.o.
Polní 367
460 01 Liberec 12
Czech Republic

T: +420 484 845 555
F: +420 484 845 556
E: foxon@foxon.cz
W: www.foxon.cz

DENMARK

ProSaiCon
Jernbanegade 23B
DK 4000 Roskilde
Denmark

T: +45 70 20 52 01
F: +45 70 20 52 02
E: hfj@prosaicon.dk
W: www.prosaicon.dk

EGYPT

Mas Trading
37, 105 Street
Al-Etihad Square
Egypt

T: +2 02 2524 2842
F: +2 02 2524 2843
E: aya.elshafei@masautomation.com
W: www.masautomation.com

ESTONIA

Saksa Automaatika OU
Peterburi Tee 49
Tallinn
EE-11415 Estonia

T: +372 605 2526
F: +372 605 2524
E: info@saksa-automaatika.ee
W: www.saksa-automaatika.ee

FINLAND

Hantekno Oy
Kalliotie 2
04360 Tuusula
Finland

T: +358 40 8222 014
E: info@hantekno.com
W: www.hantekno.fi

FRANCE

AGILICOM
Bâtiment B
1, rue de la Briaudière
Z.A. La Châtaigneraie
37510 BALLAN-MIRE
France

T: +33 247 76 10 20
F: +33 247 37 95 54
E: jy.bois@agilicom.fr
W: www.agilicom.fr

GERMANY

PROCENTEC GmbH
Benzstrasse 15
D-76185 Karlsruhe
Germany

T: +49 721 831 663-0
F: +49 721 831 663-29
E: info@procentec.de
W: www.procentec.de

INDIA

UL Engineering Services & Software Pvt Ltd
Nirman Classic,
Katraj-Kondhwa Road,
Katraj, Pune-411046
India

T: +91 202 696 0050
F: +91 202 696 2079
E: dileep.miskin@ulepl.com
W: www.ulepl.com

Automation Combine
B.R. House 4th Floor,
Hennur Main Road
Bangalore 560043
India

T: +98 452 84 550 / +98 452 030 47
F: +93 421 375 34 / +93 425 002 90
E: info@automationcombine.com
W: www.automationcombine.in

IRELAND

PROFIBUS Ireland
Automation Research Centre
University of Limerick
National Technology Park, Plassey
Limerick
Ireland

T: +353 61 202 107 or +353 61 240 240
F: +353 61 202 582
E: info@profibus.ie
W: www.profibus.ie

ISRAEL

Instrumentics Industrial Control
8 Hamlacha St.
New Industrial Zone
Netanya, 42170
Israel

T: +972 9 835 70 90
F: +972 9 835 06 19
E: info@instrumentics-ic.co.il
W: www.inst-ic.co.il

ITALY

PROCENTEC Italy
Via Branze n. 43/45
25123 Brescia
Italy

T: +39 030 200 8610
F: +39 030 238 0059
E: www.procentec.it
W: www.procentec.it

JAPAN

TJ Group
C/O Japanese PROFIBUS Organisation
West World Building 4F
3-1-6 Higashi-Gotanda,
Shinagawa-ku,
Tokyo, 141-0022
Japan

T: +81 3 6450 3739
F: +81 3 6450 3739
E: info@profibus.jp

KOREA

Hi-PRO Tech. Co., Ltd.
#2802, U-Tower, 1029
Youngduk-dong, Giheung-gu
Yongin-Si, Kyunggi-do,
446-908 Korea

T: +82 82 31 216 2640
F: +82 82 31 216 2644
E: chays@hiprotech.co.kr
W: www.profibus.co.kr

LEBANON

Industrial Technologies S.A.L. (ITEC)
Point Center, Boulevard Fouad Chehab
Sin El Fil
Beirut
Lebanon

T: +961 1 491161
F: +961 1 491162
E: sales@iteclb.com
W: www.iteclb.com

MEXICO

Grid Connect Inc.

T: +1 530 219 2565 (Spanish)
E: tomf@gridconnect.com
W: www.gridconnect.com

NETHERLANDS

PROCENTEC B.V.
Klopperman 16
2292 JD Wateringen
Netherlands

T: +31 (0)174 671 800
F: +31 (0)174 671 801
E: info@procentec.com
W: www.procentec.com

NORWAY

Nortelco Automation AS
Johan Scharffenbergs vei 95
N-0694 Oslo
Norway

T: +47 22 57 61 00
E: post@nortelcoautomation.no
I: www.nortelcoautomation.no

PERU

ControlWare
Jr. Los Silicios 5409
Los Olivos - L39
Peru

T: +51 163 737 35
F: +51 152 804 54
E: info@controlware.com.pe
W: www.controlware.com.pe

POLAND

INTEX Sp. z o.o.
ul. Portowa 4
44-102 Gliwice
Poland

T: +48 32 230 75 16
F: +48 32 230 75 17
E: intex@intex.com.pl
W: www.intex.com.pl

PORTUGAL

IndustrialSys
Rua Alexandre Herculano 25
Mangualde, 3530-144
Portugal

T: +351 96 716 16 05
E: info@industrialsys.pt
W: www.industrialsys.pt

ROMANIA

S.C. SVT Electronics S.R.L.
Brăila 7
540331 Tg-Mure
Romania

T: + 40 744 383 666
F: +40 365 809 305
E: sajgo.tibor@svt.ro
W: www.svt.ro

SAUDI ARABIA

ASM Process Automation
Al-Zahra Dist. – Attas st.
cross section with helmy Kutby St.
Villa no.25
Jeddah-21553
Saudi Arabia

T: +966 2 691 27 41
F: +966 2 682 89 43
E: info@asmeestablishment.com
W: www.asmeestablishment.com

SINGAPORE / SOUTH EAST ASIA

Allegro Electronics
236 Serangoon Avenue 3 07-98
Singapore 550236

T: +65 628 780 63
E: sales@allegro.com.sg
W: www.allegro.com.sg

SLOVAKIA

ControlSystem s.r.o.
Stúrova 4
977 01 BREZNO
Slovakia

T: +421 486 115 900
F: +421 486 111 891
E: jan.snopko@controlsystem.sk
W: www.controlsystem.sk

SOUTH AFRICA

IDX ONLINE CC
1 Weaver Street
Fourways
Johannesburg
South Africa - 2191

T: +27 (11) 548 9960
F: +27 (11) 465 8890
E: sales@idxonline.com
W: www.idxonline.com

SPAIN

LOGITEK, S.A
Ctra. de Sant Cugat, 63 Esc. B Planta 1ª
Rubí (BARCELONA), 08191
Spain

T: +34 93 588 67 67
E: xavier.cardena@logitek.es
W: www.logitek.es

SWEDEN

P&L Nordic AB
Box 252
S-281 23 Hässleholm
Sweden

T: +46 451 74 44 00
E: hans.maunsbach@pol.se
W: www.pol.se/profibus

SWITZERLAND

**Berner Fachhochschule
PROFIBUS Kompetenzzentrum**
Jlcoweg 1
CH-3400 Burgdorf
Switzerland

T: +41 (0) 34 426 68 32
F: +41 (0) 34 426 68 13
E: max.felser@bfh.ch
W: www.profitrace.ch

TAIWAN

Full Data Technology
6F., No.200, Gangqian Rd.
Neihu District, Taipei City
114, Taiwan

T: +886 2 8751 99 41/90 97
F: +886 2 8751 95 33
E: sales@fulldata.com.tw
W: www.fulldata.com.tw

TURKEY

Emikon Otomasyon
DES Sanayi sitesi 103 sokak
B-7 blok No:16 Yukari Dudullu / Umraniye
Istanbul 34776
Turkey

T: +90 216 420 83 47
F: +90 216 420 83 48
E: tolgaturunz@emikonotomasyon.com
W: www.emikonotomasyon.com

UNITED ARAB EMIRATES

Synergy Controls
907, IT Plaza Silicon Oasis :
Dubail
United Arab Emirates

T: +971 4 326 26 92
F: +971 4 326 26 93
E: sales@synergycontrols.ae

UNITED KINGDOM and N. Ireland

Verwer Training & Consultancy
5 Barclay Road
Poynton, Stockport
Cheshire SK12 1YY
United Kingdom

T: +44 (0)1625 871 199
E: andy@verwertraining.com
I: www.verwertraining.com

Hi-Port Controls
The Hub 2 Martin Close
Lee-on-Solent
Hampshire PO13 8LG
United Kingdom

T: +44 (0)8452 902 030
F: +44 (0)2392 552 880
E: sales@hiport.co.uk
W: www.hiport.co.uk

iTech
Unit 1
Dukes Road
Troon
Ayrshire KA10 6QR
United Kingdom

T: +44 (0)1292 311 613
F: +44 (0)1292 311 578
E: sales@itech-troon.co.uk
W: www.itech-troon.co.uk

Parkelect Ltd.
84 Dargan Road
Belfast
BT3 9JU
N. Ireland

T: +44 2890 777 743
F: +44 2890 777 794
E: jgillan@parkelect.co.uk
W: www.parkelect.co.uk

UNITED STATES

Grid Connect Inc.
1630 W. Diehl Road
Naperville, Illinois 60563
USA

T: +1 630 245 14 45
F: +1 630 245 17 17
E: sales@gridconnect.com
W: www.gridconnect.com/procentec.html

VIETNAM

Bavitech Corporation
42 Truong Son Street
Ward 2, Tan Binh District
Ho Chi Minh City
Vietnam

T: +84-8-3547 09 76
F: +84-8-3547 09 77
E: hai.hoang@bavitech.com
W: www.bavitech.com

For the complete list of our Sales Offices and Distributors see www.procentec.com/company/distributors.

If your country or region is not listed, please contact us. We are still searching for distributors who can cover complete areas or countries.



7. About PROCENTEC

PROCENTEC is a specialist in PROFIBUS and PROFINET technology and develops products to optimize the production processes of end users. Our innovative solutions ensure that our customers successfully operate in the world of industrial automation and enjoy maximum results from their process.

PROCENTEC globally supplies all the components required to install a measurable and steerable network. We develop and produce all products in the Netherlands and they are exported through our worldwide distribution network. At PROCENTEC, we have a professional team of qualified support engineers who provide technical support on-site and online. Our professionals have more than 20 years of experience with PROFIBUS and PROFINET technology. They provide the necessary support to end users during implementation procedures, certification processes, audits and malfunctions. PROCENTEC also is an international accredited Competence and Training centre for PROFIBUS and PROFINET. We provide training courses that help employees using those techniques optimally for their business objectives

Products

- ProfiTrace
- ComBricks
- ProfiHub
- PROFINET tools
- Cables & Connectors

Services

- On-site & Online Support
- Network Audit
- Network Certification
- Consultancy
- Testlab & Democenter
- Competence Center

Training

- PROFIBUS training courses
- PROFINET training courses
- Product training courses



PROCENTEC BV
Klopperman 16
2292 JD Wateringen
The Netherlands

T: +31 (0)174 671 800

F: +31 (0)174 671 801

E: support@procentec.com

W: www.procentec.com

