

KIEN1008G

8G Port Full Gigabit Unmanaged DIN-Rail Switches



» Overview

The KIEN1008G full Gigabit series are Kyland ultra low power consumption Green Ethernet series, equipped with 8 Gigabit ports, plug and play. The solid metal housing with IP40 protection class, strong vibration-resistant mounting clip for DIN-Rail installation, redundant power inputs, wide operating temperature range from -40°C to 85°C, and excellent EMC performance give the switches an stable and reliable operating capability in the harsh industrial environments, and make them ideal for setting up high bandwidth Ethernet connections in power, video surveillance, factory automation, oil and gas and other industrial applications.

» Key Features

2 Gigabit Combo ports and 6 10/100/1000Base-TX ports

EMC performance reaches industrial level 4

IP40 protection class

UL508, Class I Div 2 , CE, FCC certificates

» Product Specifications

>Technical Specification

-Standard

IEEE 802.3i (10Base-T)

IEEE 802.3u (100Base-TX)

IEEE 802.3ab(1000Base-T)

IEEE 802.3z (1000Base-X)

-Switch Properties

MAC Table: 8K

Packet Buffer: 1Mbit

Packet Forwarding Rate: 11.9Mpps

Switching Delay:<5 μ s

-Interface

Gigabit Port:

1000Base-X, SFP slot

10/100/1000Base-T(X), RJ45 port

-LED

LEDs on Front Panel

Power LED:PWR1, PWR2

Interface LED:Link/ACT, Speed (RJ45 port), Link/ACT (fiber port)

-Power Requirements

Power Input:

24-48VDC

12-24VDC

Power Terminal:

5-pin 5.08mm-spacing plug-in terminal block

Power Consumption:<16w

Overload Protection: Support

Reverse Protection: Support

Redundancy Protection: Support

-Physical Characteristics

Housing: Metal

Cooling: Natural convection, fanless

Protection Class: IP40

Dimension: 88mm×135mm×137mm(W×H×D)

Weight: 1.2Kg

Mounting: DIN-Rail or Panel Mounting

-Environmental Limits

Operating Temperature: -40°C to +85°C

Storage Temperature: -40°C to +85°C

Ambient Relative Humidity: 5-95% (non-condensing)

-Quality Assurance

MTBF: 357,000 hrs

Warranty: 5 years

-Approvals

UL508, Class I Div 2, CE(EMC), FCC: Models with L2:24-48VDC

-Industry Standard

EMI:

FCC CFR47 Part 15, EN55022/CISPR22, Class A

EMS:

IEC61000-4-2(ESD) ±8kV(contact), ±15kV(air)

IEC61000-4-3(RS) 10V/m(80MHz-2GHz)

IEC61000-4-4(EFT) Power Port: ±4kV; Data Port: ±2kV

IEC61000-4-5(Surge) Power Port: ±2kV/DM, ±4kV/CM; Data Port: ±2kV

IEC61000-4-6(CS) 10V(150kHz-80MHz)

Machinery:

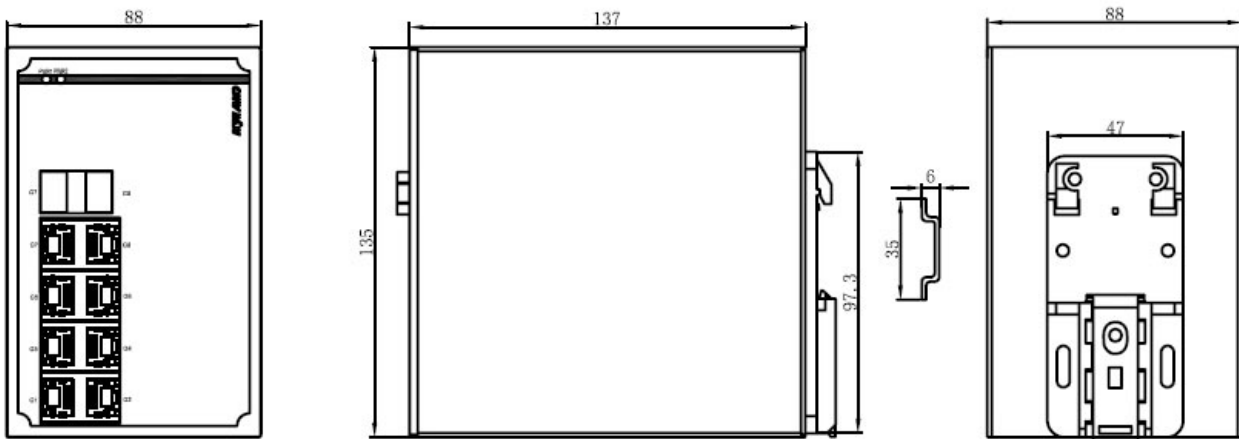
IEC60068-2-6 (Vibration)

IEC60068-2-27 (Shock)

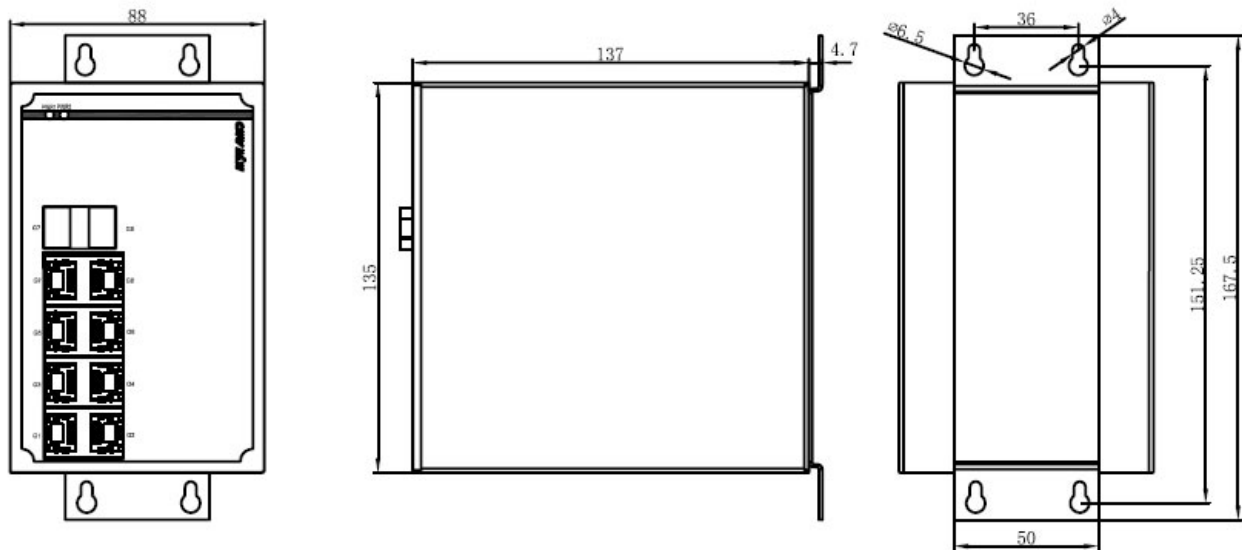
IEC60068-2-32 (Free Fall)

» Mechanical Drawing

DIN Rail Mounting



Panel Mounting



Ordering Information

KIEN1008G-Ports-PS1-PS2

Ports

2G6GE 2 1000Base-X,10/100/1000Base-T(X) Combo ports; 6 10/100/1000Base-T(X) RJ45 ports

8GE 8 10/100/1000Base-T(X) RJ45 ports

PS

L2-L2 24-48VDC, redundant power inputs

L5-L5 12-24VDC, redundant power inputs

Accessories

Gigabit SFP module Please refer to the Gigabit SFP module ordering list

DT-BGAZ-02

Panel for panel mounting (12/24/48VDC Model)

DT-FCZ-RJ45-01

Dustproof cover for RJ45 port

Version:2018-05-30 16:15:40