

W&T

www.WuT.de

Manual

Installation, Startup and Application

USB-Server

valid for

#53663

USB-Server Gigabit 2.0

Release 1.05 10/2021

© 10/2021 by Wiesemann und Theis GmbH

Microsoft and Windows are registered Trademarks of the Microsoft Corporation.

Subject to error and alteration:

Since it is possible that we make mistakes, you mustn't use any of our statements without verification. Please inform us of any error or misunderstanding you come about, so we can identify and eliminate it as soon as possible.

Carry out your work on or with W&T products only to the extent that they are described here and after you have completely read and understood the manual or guide. We are not liable for unauthorized repairs or tampering. When in doubt, check first with us or with your local distributor.

Inhalt

1. Legal notices	6
Warning notice system	6
Disposal.....	7
Symbole auf dem Produkt.....	8
1. Quickstart	10
Step 1: Hardware installation.....	11
Step 2: Setting up the network parameters	12
Step 3: Installing the W&T USB-Redirector	13
Step 4: Connecting to a USB-Device	14
2. Assigning/Changing IP Parameters	16
2.1 Verwaltung der Netzwerkparameter im USB-Server	17
2.2 Operation with DHCP	17
2.2.1 Activating DHCP mode	18
2.2.2 Deactivating DHCP mode	18
2.2.3 System-Name	19
2.2.4 Lease-Time	19
2.2.5 Reserved IP addresses	20
2.2.6 Dynamic IP addresses	20
2.3 Static mode of operation.....	20
2.3.1 Assigning static IP parameters using WuTility	20
2.3.2 Assigning static IP parameters using WBM.....	23
3. Hardware - Interfaces and indicators	24
3.1 Supply voltage.....	25
3.1.1 PoE-Supply	25
3.1.2 External Supply	25
3.2 Ethernet connector.....	26
3.2.1 Link state.....	26
3.2.2 100/1000BaseT.....	26
3.3 USB Ports	28
3.4 LED indicators	29

4. The W&T USB Redirector	30
4.1 System overview	31
4.1.1 System requirements	32
4.1.2 Supported USB modes	32
4.1.3 Maximum number of USB devices	32
4.1.4 Port Numbers	32
4.2 Download & Installation	34
4.2.1 Downloading the W&T USB redirector	34
4.2.2 Installing the W&T USB redirector	34
4.2.3 Uninstalling	35
4.3 The Inventory	36
4.3.1 Automatic inventory list creation	37
4.3.2 Manual entries in the configuration list	37
4.3.3 Saving and opening inventory lists	38
5. Claiming USB devices	39
5.1 System behaviour and conflict resolution	40
5.2 Quick claiming of USB devices	40
5.3 Advanced claiming of USB devices	41
5.3.1 When/for how long do you want to use the device?	41
5.3.2 If someone else wants to use the device	42
5.3.3 Options for the mass storage devices	43
5.4 Releasing connections	45
5.5 Skript-/Batchgesteuerte Ein-/Ausbindung	46
6. Web Based Management	49
6.1 Starting and navigating the WBM	50
6.1.1 Navigation concept of the USB-Server	50
6.1.2 The Start page of the USB-Server	50
6.2 WBM Konfigurations-Session	51
6.2.1 Login	51
6.2.2 Logout	52
6.3 WBM - Passwort und Passwortvergabe	53
6.4 WBM - Network parameters	54
6.5 WBM - Network services	56
6.5.1 Web-Based-Management	56
6.5.2 USB-Server Service	57
6.5.3 SNMP	57
6.5.4 Reset-Port	57

6.5.5 Firmware-Update service.....	58
6.5.6 WuTility-Management.....	58
6.6 WBM Device Information and WBM configuration	59
6.6.1 System name	59
6.6.2 USB Port Description.....	59
6.7 WBM - Firewall	60
6.7.1 Activating the firewall.....	60
6.7.2 Whitelist.....	61
6.7.3 Blacklist.....	61
7. Appendix	62
7.1 Application example: Dongle device pool.....	63
7.2 Application example: USB cameras.....	65
7.3 Up-/Downloading the configuration data.....	67
7.3.1 Up-/Downloading the configuration using WuTility.....	67
7.4 Firmware Update.....	68
7.4.1 Where is the current firmware available?	68
7.4.2 Firmware update under Windows.....	68
7.4.3 Interrupted updates, alternate image	69
7.5 Resetting the USB-Server.....	70
7.6.1 Hardware reset to factory default settings	70
7.6.2 Software reset to factory default settings.....	71
7.7 Used ports and network security	72
7.8 Technische Daten und Bauform.....	75
7.9 Licenses	77

1. Legal notices

Warning notice system

This manual contains notices that must be observed for your personal safety as well as to prevent damage to equipment. The notices are emphasized using a warning sign. Depending on the hazard level the warning notices are shown in decreasing severity as follows.

DANGER

Indicates a hazard which results in death or severe injury if no appropriate preventive actions are taken.

WARNING

Indicates a hazard which can result in death or severe injury if no appropriate preventive actions are taken.

CAUTION

Indicates a hazard that can result in slight injury if no appropriate preventive actions are taken.

NOTE

Indicates a hazard which can result in equipment damage if no appropriate preventive actions are taken.

If more than one hazard level pertains, the highest level of warning is always used. If the warning sign is used in a warning notice to warn of personal injury, the same warning notice may have an additional warning of equipment damage appended.

Some additional information is also highlighted in this manual:

i General Information

General information concerning the following paragraphs.

 **Reference**

A reference to a source for more detailed information.

 **Product**

The following paragraphs are tailored to a specific product.

 **Audience**

The following paragraphs are primarily intended for a specific audience.

Qualified personnel

The product described in this manual may be installed and placed in operation only by personnel who are qualified for the respective task.



The documentation associated with the respective task must be followed, especially the safety and warning notices contained therein.

Qualified personnel are defined as those who are qualified by their training and experience to recognize risks when handling the described products and to avoid possible hazards.

Disposal

Electronic equipment may not be disposed of with normal waste, but rather must be brought to a proper electrical scrap processing facility.

Symbols on the product

Symbol	Explanation
	<p>CE-Mark</p> <p>The product conforms to the requirements of the relevant EU Directives.</p>
	<p>WEEE-Mark</p> <p>The product may not be disposed of with normal waste, but rather in accordance with local disposal regulations for electrical scrap.</p>

Electrical safety

The USB-Server Gigabit 2.0 may only be used in enclosed and dry areas. The device should not be exposed to high ambient temperatures and not be operated near heat sources. Please note the restrictions regarding the maximum ambient temperature.

The power supply unit used to power the respective USB-Server Gigabit 2.0 must guarantee a safe separation of the low voltage side from the grid in accordance with EN62368-1 and have „LPS“ characteristics.

Input voltage and output currents must not exceed the rated values in the specification.

Ventilation openings must be clear of any obstacles. A distance of 10-15 cm between the USB-Server Gigabit 2.0 and nearby heat sources must be maintained.

When installing, be sure that no stray wires stick through the ventilation slits of the USB-Server Gigabit 2.0 into the housing.


EMC

Only shielded network cables may be used for connecting the USB-Server Gigabit 2.0 to the network.

Only shielded cables may be used for connecting the USB-Server Gigabit 2.0 to USB

devices.

In this case the USB-Server Gigabit 2.0 meets the noise immunity limits for industrial applications and the stricter emissions limits for households and small businesses. Therefore there are no EMC-related limitations with respect to the usability of the devices in such environments.

 **Declarations of conformity**

The complete Declarations of Conformity for the devices described in the manual can be found on the corresponding Internet page at the W&T homepage: <http://www.wut.de>.

1. Quickstart

For customers already familiar with the W&T USB-Server the following pages feature a quick start guide with the basic steps necessary from hardware installation to a working setup of the USB Server and the USB redirector software.

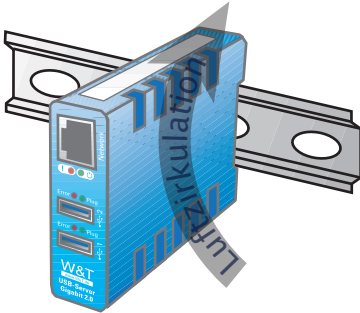
Additional Information

A more detailed explanation of the individual steps is available in the respective sections.

Step 1: Hardware installation

Mounting

The housing of the W&T USB-Server is designed for on a standard DIN rail.



NOTE

A lack of appropriate air circulation may cause damage to the USB Server

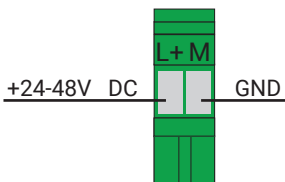
- Ensure the air flow depicted above is not blocked during operation of the device, especially when operating in conditions at elevated temperatures.
- Alternate mounting methods must still ensure the depicted air circulation

Power supply

Power may be supplied either via

- a PoE capable network environment or
- using a separate power supply of 24-48 VDC (+/- 10%).

Please take note of the correct polarity when connecting the external power supply:



Network connection and USB devices

Use a standard patch cable to connect the USB-Server to the network and plug your desired USB devices into the USB ports of the USB-Server, just as with a local USB port.

After the hardware setup has been completed the USB-Server should start booting. Once the booting process has finished the link and activity LEDs of the network connector should indicate a working link and the system LED of the USB-Server should turn on.

Step 2: Setting up the network parameters

The USB-Server comes pre-configured with an activated DHCP client. Should your local network use DHCP for IP-address management you may continue with step 3 without any further action required.

Network settings with WuTility

The pre-configured default IP-Address of the W&T USB-Server is

190.107.233.110

Install the management-tool WuTility available from the product CD included with the USB-Server on a Windows-PC. The PC has to be connected to the same subnet as the USB-Server.

The WuTility-Tool will automatically scan the network for connected W&T devices on startup. Select your USB-Server from the list of found devices and click on the *IP Address* button in the tool bar of the WuTility application.



The newly opened dialog gives you the option to set the USB-Server into static IP mode for manually assigning IP-address, subnet mask and gateway. Enter the values in accordance to your local network setup and confirm using the *OK* button.

The USB-Server will accept the new settings and automatically perform a reboot. After approximately 30 seconds the USB-Server should be available with the new IP parameters and can be found e.g. by performing a new scan with WuTility.

IP assignment

A more detailed description of the available methods for assigning the network parameters can be found in the section *Assigning/Changing IP Parameters*.

Step 3: Installing the W&T USB-Redirector

Install the W&T USB Redirector on the desired Windows-PC (Windows 7 or higher). You can download the installer from the USB-Servers web interface or from the online datasheet at <http://www.wut.de/53663>. Alternatively you can install the software from the product CD included with the USB-Server.

The installation requires administrator privileges on the Windows-PC.

In addition to the actual core driver the associated configuration- and management tool is installed in the newly created program group W&T USB Redirector.

i WHQL Certification

To allow publishing of updates of the W&T USB Redirector as soon as possible, the driver is not WHQL certified. To successfully finish the installation the corresponding message from the Windows logo test must be acknowledged with *Continue installation*. If you need a WHQL certified version, please contact your local distributor or W&T directly.

Installation

More details concerning the installation of the W&T USB Redirector can be found in the section *The W&T USB-Redirector*.

Step 4: Connecting to a USB-Device

The configuration tool can be started from the program group W&T USB Redirector. The local subnet will automatically be scanned for W&T USB Servers and attached USB devices on startup.



i Inventory

Should the Windows-PC and the USB-Server not be connected to the same subnet, the USB-Server has to be manually added to the inventory via the menu bar option *Devices->Insert New*



Quick connecting to a USB device

Select the desired USB device in the inventory and use the Claim button in the tool bar. Similar to a local connection the USB device is now inserted into the Plug&Play system of Windows. The device-specific driver installation takes place automatically and the USB device can then be used just as if it were connected to a local USB port on the computer.

In the default configuration USB devices claimed using the quick connect will be released when closing the configuration tool or by using the Release button in the tool bar. After releasing a USB device it may be claimed again by other users.

i Claim settings

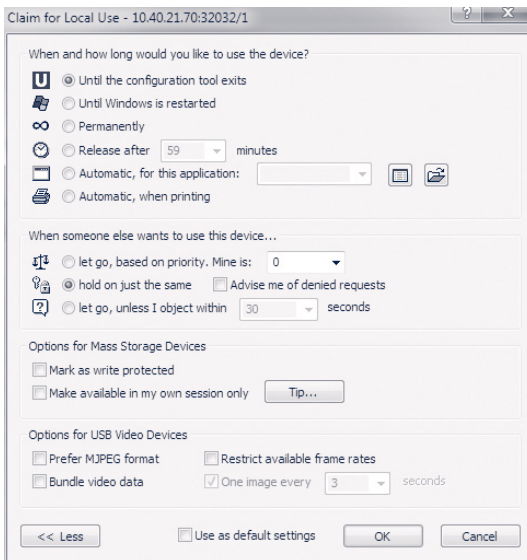
The type of connection can be configured more thoroughly using the *Advanced* button in the tool bar. The pre-configured default setting is „until the configuration tool exits“



Advanced incorporating settings

This dialog provides advanced options for incorporating and enabling the USB device. For example, the device can be claimed even before a user login in Windows by using a permanent connection.

Other options include time-limited incorporation, automatic incorporation when running certain programs or print jobs, rules for competing access to USB devices and camera specific modes.



USB Redirector

More details concerning the different options of the W&T USB Redirector can be found in the section *The W&T USB-Redirector*.

2. Assigning/Changing IP Parameters

After the hardware installation of the USB-Server, the IP address and other network settings, such as the subnet mask and gateway, have to be set according to the local network environment. Please ask the local responsible system administrator for valid settings for your application.

The pre-configured IP-Address of the USB-Server is 190.107.233.110

- Setting the IP address, subnet mask and gateway address using the management tool WuTility
- Setting the IP address, subnet mask and gateway address using the DHCP protocol
- Changing the IP parameters using Web-Based-Management

2.1 Verwaltung der Netzwerkparameter im USB-Server

The USB-Server can be operated in two different modes with respect to its network parameters.

Static

IP address, subnet mask and gateway are stored in the non-volatile setup of the USB-Server, and the DHCP protocol is disabled. The parameters set using this method remain stored even after power interruptions and resets until they are changed using WuTility or Web-Based-Management.

DHCP (factory default settings)

The DHCP protocol is enabled and the USB-Server attempts to obtain its IP parameters from a DHCP server located in the network. If no DHCP server is available or the attempt to obtain an IP address is rejected, the USB server operates using the factory default fallback IP address 190.107.233.110. When switching from Static to DHCP mode using WuTility or Web-Based-Management, the USB-Server reverts to this default IP address until valid new parameters are assigned.

2.2 Operation with DHCP

Many networks are setup for centralised and dynamic assignment of network settings via DHCP (Dynamic Host Configuration Protocol). In its delivery state and after a reset to factory default settings the USB-Server acts as an DHCP client. This way, it is often sufficient to connect the USB-Server to the local network and the IP parameters are dynamically assigned. The following parameters can be configured using DHCP:

- IP address
- Subnet mask
- Gateway

i Discovery of devices

Should the USB-Server have inadvertently accepted IP parameters from a DHCP server it is always possible to find the current settings using the management tool WuTility. The same tool can also be used to set the USB-Server into static mode of operation, allowing the user to set the IP parameters to a valid state.

2.2.1 Activating DHCP mode

DHCP protocol is activated by switching from Static mode to DHCP mode using the WuTility Tool or the Web-Based Management of the USB-Server. The previous static IP address is then deleted and the DHCP protocol is enabled. The USB-Server returns to its default address 190.107.233.110 until new network parameters are assigned by a DHCP server.

- **Activating using the management tool WuTility**
Select the desired USB-Server in the device list and click on the IP Address button. In the following dialog window check the radio button DHCP and then confirm with the Continue button.
- **Activating using Web Based Management**
In the menu Home → Config → USB-Server → LAN select the option *Enable DHCP* and click on the Send button. To save the new setting in the USB-Server, select Logout and Save.

i DHCP

Switching from Static to DHCP mode causes the device to revert from the static IP address to the factory default setting 190.107.233.110. If the IP assignment using DHCP fails, for example because no DHCP server is available, the USB-Server may no longer be reachable, especially in routed network environments. Reactivating Static mode using WuTility can only be done using a computer in the same subnet.

2.2.2 Deactivating DHCP mode

DHCP mode is deactivated by switching from DHCP mode to Static mode using the WuTility Tool or the Web-Based-Management on the USB-Server. In both cases the new values for IP address, subnet mask and gateway address must be manually specified.

- **Deactivating using the WuTility management tool**
Select the desired USB-Server from the device list and click on the IP Address button. In the resulting dialog window activate the Static radio button. After entering the new IP address and the valid subnet mask and gateway address click on the Continue button.
- **Deactivating using Web Based Management**
In the menu Home → Config → USB-Server → LAN deactivate the Enable DHCP option. After entering the new IP address as well as the valid subnet mask and gateway address click on the Send button. Clicking on Logout and Save saves the new settings in the USB-Server and the device can be accessed using the new IP address.

2.2.3 System name

To support automated updating of the DNS system using the DHCP server, the USB-Server identifies itself with its system name within the DHCP protocol. The factory default name is *USB-Server-* followed by the last three bytes of the Ethernet address. For example the factory default system name of a USB-Server having Ethernet address 00:c0:3d:01:02:03 is USB-Server-010203. The system name of the USB-Server can be changed using Web Based Management.

2.2.4 Lease time

The lease time determined and sent by the DHCP server specifies the duration for which the assigned IP address is valid. After half the lease time has expired the USB-Server attempts to extend the time and update the address. If this is not possible by the time the lease time expires, for example because the DHCP server can no longer be reached, the USB-Server deletes the IP address and reverts to the factory default address 190.107.233.110. At the same time a cyclical search for alternate DHCP servers is started.

Because the USB-Server has no realtime clock installed, the lease time for the current IP address is lost on reset. After the restart a corresponding update request is sent to the original DHCP server. If the server cannot be reached at this point in time, the USB-Server deletes the IP address and reverts to the factory default address 190.107.233.110. At the same time a cyclical search for alternate DHCP servers is started.

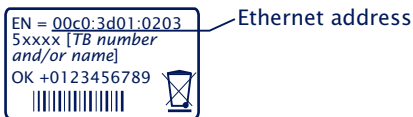
In DHCP mode the remaining lease time as well as the current IP address is displayed on the Web page Home → Properties.

i Reserved DHCP addresses

A reset to the factory-side IP address 190.107.233.110 causes all open connections to W&T USB Redirectors to be closed. To prevent faults of this kind we recommend using reserved IP addresses in the DHCP server.

2.2.5 Reserved IP addresses

The USB-Server is designed as a TCP server and therefore provides services which can be used as needed by computer-side W&T USB Redirectors. Since the IP address of the USB-Server is needed to open such a connection, it is often useful to reserve a known IP address for the USB-Server in the DHCP server settings. This is generally done by linking the IP address to be assigned to the unique Ethernet address of the USB-Server, which can be found on the sticker on the slim side of the housing.



2.2.6 Dynamic IP addresses

Fully dynamic address assignment, where the USB-Server gets another IP address after each restart or after expiration of the lease time, only makes sense in network environments with automatic cross-connection between the DHCP and DNS services. This means when a new IP address is assigned to the USB-Server, the DHCP server then also automatically updates the DNS system.

2.3 Static mode of operation

In static mode the USB-Server uses static network parameters and the DHCP protocol is disabled. There are two ways of assigning the static values for IP address, subnet mask and gateway.

2.3.1 Assigning static IP parameters using WuTility

The Windows tool WuTility in version 3.70 and higher supports scanning for and managing USB-Servers, e.g. by altering the following network settings:

- IP address
- Subnet mask
- Gateway address
- Switching between static and DHCP

To assign these parameters the PC and USB-Server must be located in the same physical subnet, i.e. the USB-Server and PC may not be separated by a router. Even if the current parameters of the USB-Server do not match the subnet settings of the PC, WuTility is able to reach the USB-Server as long as no routing needs to take place. Any system password set in the USB-Server must, however, be known.

Installation of WuTility

The quickest way to install WuTility is using the Install button on the start screen of the product CD included with the product.

Afterwards, start WuTility from the start menu

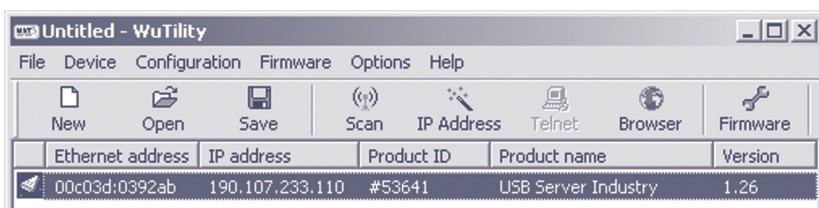
Start → Programs → Wutility Version 4 → WuTility

Starting the assignment dialog

Make sure that both the USB-Server and the computer are connected to the same physical subnet. After starting, WuTility automatically searches the local network for connected W&T network devices and creates an inventory list. This search procedure can be repeated as often as desired by clicking on the Scan button:



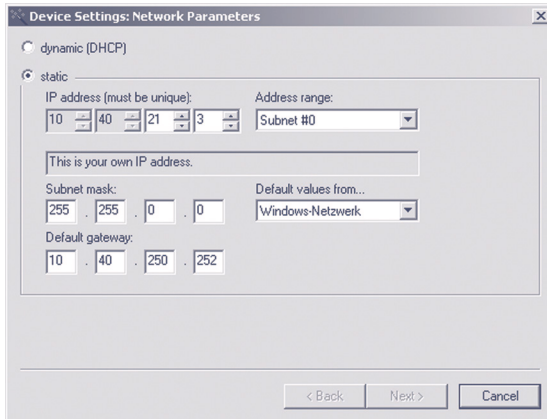
Within the inventory the desired USB-Server can be identified by its MAC address. For initial installations the IP address is 190.107.233.110.



Select the desired USB-Server and then click on the IP address button:



In the resulting dialog window activate the radio button Static and enter the desired values for the IP address, subnet mask and gateway address.



Should the USB-Server have a password set, you may at this stage be prompted to enter the system password. Then the network parameters are stored in the USB-Servers non-volatile memory.

All further settings are made using Web-Based-Management of the USB-Server and your browser of choice. To open the USB-Servers web interface select it in the inventory and click on the Browser button in the tool bar:



i Web-Based-Management

Additional information about management of the USB-Server can be found in the section Web-Based-Management.

i System password

Changing the network parameters is protected by the system password. To prevent unauthorized use, we recommend assigning a system password for operating USB-Servers.

2.3.2 Assigning static IP parameters using WBM

In its delivery state and after a reset to the factory default settings the USB-Server operates in DHCP mode. As long as no address is assigned by a DHCP server, the USB-Server can also be reached by its default IP address 190.107.233.110. Switching to Static mode and assigning the new IP parameters can also be done using Web-Based-Management and a browser.

In contrast to address assigning using WuTility, initial startup of multiple USB-Servers using the methods described in the following can only be done one after the other. Only after a USB-Server has received its new IP address can the next USB-Server be connected to the network. Please check with the responsible network administrator to check the new network settings against your local network setup.

On the computer side one of the two following conditions must be met:

- The IP address of the computer used is in the subnet range 190.107.0.0 or is temporarily changed to an appropriate value. You need administrator rights to change the IP address of a computer. Notify your responsible network administrator before making changes to the network settings of a computer.
- A fixed route which directs the IP address 190.107.233.110 to the local network is set up on the computer. Administrator rights are required in order to set up such a route. The command line syntax for creating a fixed route under Windows is:

```
route ADD 190.107.233.110 MASK 255.255.255.255 [IP address of the PC]
```

Finally, start your browser of choice and enter the URL <http://190.107.233.110> in the address line. You can now change the network settings to the desired values using the USB-Servers web interface.

3. Hardware - Interfaces and indicators

- Supply voltage via PoE and external
- Ethernet port
- USB ports
- LED indicators

3.1 Supply voltage

Power for the W&T USB-Server can be provided either via PoE or from an external power supply. Connecting an external supply voltage and a PoE infrastructure at the same time is not permitted.

The current draw can be found in the technical appendix.

3.1.1 PoE-Supply

The model 53663 USB-Server is suitable for use in PoE environments according to IEEE802.3af. Here the supply voltage is supplied by the network infrastructure through the RJ45 terminal. The USB-Server supports both phantom power using data pairs 1/2 and 3/6 as well as power through the unused wire pairs 4/5 and 7/8.

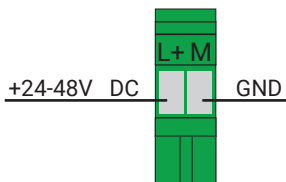
The USB-Server identifies itself as a Power Class 3 device (power consumption from 6.49W to 12.95W).

3.1.2 External Supply

As an alternative to PoE, the USB-Server can also be powered via the plug-in screw terminal located on the bottom side of the housing. The DC voltage used must be in the following range:

- DC voltage: 24V (-10%) - 48V (+10%)

The W&T USB Server input is reverse polarity protected. Proper function does, however, require the following polarity setting:



NOTE

















Only potential-free power supplies may be used for powering the model 53663 USB-Server. Their reference ground for the output voltage must not have a direct connection to the PE conductor.

3.2 Ethernet connector

The USB-Server Industry has an IEEE 802.3 and IEEE 802.3af (PoE) compatible RJ45 network terminal.

3.2.1 Link state

The link state is indicated by the two LEDs built into the RJ45 receptacle.

Speed/ Activity	FD/HD	Pin	Richtung	Funktion
		1	Out	Tx+
		2	Out	Tx-
		3	In	Rx+
		4	In	Vcc positive
		5	In	Vcc positive
		6	In	Rx-
		7	In	Vcc negative
		8	In	Vcc negative

- **Speed/Activity**
Green <=> 1.000Mbit/s link
Green, blinking <=> 1.000Mbit/s link with activity

Orange = 100Mbit/s link
Orange, blinking <=> 100Mbit/s link with activity
- **FD/HD**
ON <=> Full-Duplex link
OFF <=> Half-Duplex link

3.2.2 100/1000BaseT

The network connection is made using the shielded RJ45 socket and a max. 100m long shielded patch cable. The autocrossing function allows both 1:1 and crossed patch cables to be used.

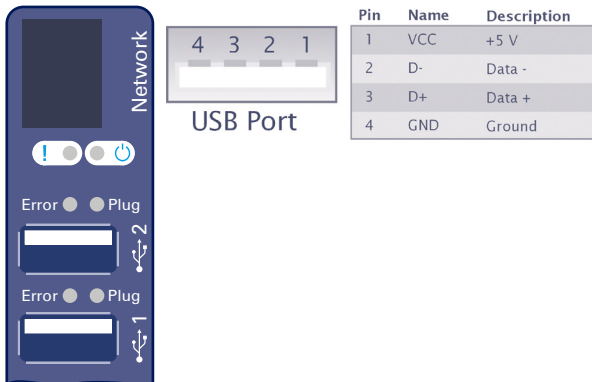
The network connection is galvanically isolated from the supply voltage and the USB ports to at least 500V_{RMS}.

Auto Negotiation: 100/1000BaseT, Full/Half Duplex

In its factory default setting the USB-Server uses Auto-Negotiation mode. To prevent communication problems caused by e.g. a duplex mismatch, we recommend also setting Auto-Negotiation mode the switch or hub the USB-Server is connected to. This way, both the transmission speed and the duplex procedure are automatically negotiated and correspondingly set in the devices.

3.3 USB Ports

The USB standard specifies both the wiring of the port and the names of the signal lines. The configuration shown below corresponds to a USB standard port. Both USB ports are able to provide devices with 5V and a maximum of 500mA each, independently of each other. To prevent hardware damage the respective USB port is automatically disconnected when overload is present. The overload state is indicated by the red State LED of the respective port.



Both ports of the W&T USB-Server conform with USB 1.0, 1.1 and 2.0 with transmission speeds of 1.5 Mbit/s (Low), 12 Mbit/s (Full) and 480 Mbit/s (High). This means most USB devices using the transfer modes Control, Interrupt, Bulk and Isochronous are supported.

i USB Hot-Plugging

In accordance with the USB standard, connecting and unplugging USB devices is possible at all times and permissible from a purely electrical point of view (hot-plugging). To prevent data loss, e.g. when using flash drives, we recommend disconnecting devices only when there is no active connection between a network computer and the USB device.

3.4 LED indicators

In addition to the LEDs integrated in the RJ45 connector for the network connection (see section on Ethernet connection), the USB Server has a System LED as well as two Status LEDs for each of the USB ports.

- **System-LED (green/red)**
Green <=> Power supply and System OK
Green, blinking <=> System start, Firmware-Update or Factory Default settings
Red <=> System error
- **State-LEDs (green/red)**
Green <=> The USB port is currently in use by a network connection
Red, blinking <=> The USB-Server detected a higher than allowed current consumption, but the USB supply can still be maintained
Red <=> The USB-Server has disabled the USB supply, due to either an overload condition or to reset the connected usb device, e.g. because the device was unplugged by the USB Redirector

4. The W&T USB Redirector

The W&T USB Redirector consists of both a virtual host controller designed as a Windows core driver as well as a corresponding configuration tool. The core driver takes care of system-side processing of the USB handling. The associated configuration tool scans the network for available USB-Servers and allows the connected USB devices to be plugged and unplugged with just a click of the mouse.

- **System requirements**
- **Installation and uninstallation**
- **Using the configuration tool**
- **Configuring the W&T USB Redirector**

4.1 System overview

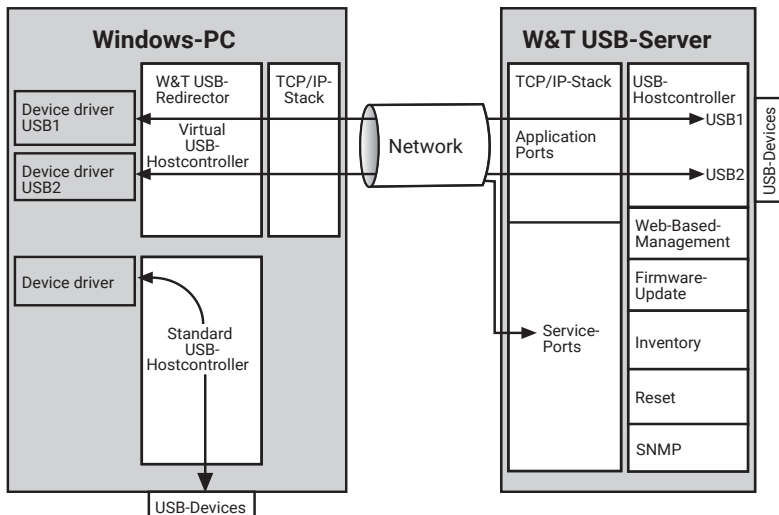
While the USB Server assumes the hardware-side adaptation, the USB Redirector is the software-side counterpart. It is implemented as a Windows core driver and, as a virtual USB host controller, represents the link between the USB Server, the Windows Plug & Play system and the device-specific drivers.

Configuration of the USB Redirector is registry-based using the USB Redirector tool in the Windows Start menu. In addition to this, it is also possible to control the USB Redirector from the commandline for script based configuration using the provided commandline tool *usbcontrol.exe*.

Script based configuration

More information regarding the script based configuration can be found in the section *Script-controlled integration of USB devices*

After successfully plugging a USB device via the USB Redirector, it will be made available to the system just as if it were locally connected. Connections to USB devices are exclusive, i.e. a simultaneous connection attempt by a competing USB Redirector will be rejected and can be established only after the prior connection has been closed.



 **Online Help**

Additional and more up-to-date information about the individual configuration options can be found in the online help of the W&T USB Redirector.

4.1.1 System requirements

On the system side, the following requirements must be met:

- Operating system Windows 7/8/8.1/10 incl. 64-bit and server editions
- Login as Administrator or with Administrator privileges

4.1.2 Supported USB modes

The W&T USB-Server conforms with USB 1.0, 1.1 and 2.0 with transmission speeds of 1.5 Mbit/s (Low), 12 Mbit/s (Full) and 480 Mbit/s (High). This means most USB devices using the transfer modes Control, Interrupt, Bulk and Isochronous are supported.

4.1.3 Maximum number of USB devices

Although the USB-Server is designed for direct connection of two USB devices, connection of an external USB hub per USB port is also supported. This allows a maximum of 8 USB devices to be connected and incorporated through the USB Port Redirector into Windows systems. It should be noted however that some multi-function devices already present themselves as a hub to the system.

4.1.4 Port Numbers

In order to keep the configuration effort of the firewall in protected environments to a minimum, the entire network communication takes place on a single, configurable TCP port (factory default = 32032). This port number can be changed from the USB Server web pages in the menu branch Home → Config → USB-Server → Network-Service

Any installed security components (software or hardware firewall, security suites etc.) must allow communication over this port number without delay. This is, however, not strictly necessary for the UDP port 8513 used for automatic inventorying. Inserting the USB-Servers can be done manually in this case.

 **Inventory**

More details regarding the inventory are available in the section *The Inventory*

4.2 Download & Installation

The installation package for the USB Redirector contains 32- and 64-bit versions of the core driver as well as the German and English language options. The package can be found on the included product CD. The most current version is always available on our web site at <http://www.wut.de>

4.2.1 Downloading the W&T USB redirector

A direct link to the installation package can be found on the start page of the product CD, which is configured as a web site.

To download the latest version from our homepage, please navigate to <http://www.wut.de/53663> and follow the *Tools link*.

4.2.2 Installing the W&T USB redirector

The installation package can be run by a simple double click. In addition to the actual core driver the associated configuration and management tool is also installed and inserted into the new W&T USB Redirector program group.

i WHQL Certification

To make it possible to publish updates to the W&T USB Redirector as soon as possible, the driver is not WHQL certified. To successfully finish the installation the corresponding message from the Windows logo test must be acknowledged with *Continue installation*. If you need a WHQL certified version, please contact your local distributor or W&T directly.

i Installation over an existing USB Redirector installation

Usually installation of the W&T USB Port Redirector is done as an update to any already present older version. All previously setup settings and connection parameters made remain intact and are available after the installation unchanged.

i Version dependencies between USB-Server and USB-Redirector




When downloading the USB Redirector, be aware of any instructions pertaining to the firmware versions of the USB Server which may be required. If necessary you may also need to also update the USB Server firmware when updating the USB Redirector.



4.2.3 Uninstalling

For uninstalling, the program group USB Redirector has its own Uninstall entry. Alternatively, you can uninstall using the Windows software management function in the Control Panel.

4.3 The Inventory

The inventory in the configuration tool lists the available USB-Servers with the connected USB devices along with additional information in a tree structure.

Identification	Port	Description	Requested	Client	Status
 10.40.21.70	32032	USB-Server-0665E2			
 045E-0772	1	Microsoft® LifeCam Studio(TM)			
 045E-074A	2	Microsoft LifeCam			

- 
Icon for USB-Server
- 
Icon for a USB device. This is connected to the first USB-Server shown above.

Identification

For USB-Servers the IP address is listed here. For USB devices the vendor and product ID are shown instead.

Port

For USB-Servers the TCP port used for USB data exchange is shown (factory setting is 32032). For USB devices the physical USB-tree location of the device is shown.

Description

For USB-Servers the system name is indicated here. The system name is configurable using Web Based Management and is set to *USB-Server-* followed by the last three places of the MAC address (e.g.. *USB-Server-040506*) by default. For USB devices the description read out via USB is shown.

Annotation

In the USB-Server setup you can assign comments to a port number (see Port column). This makes it possible to differentiate USB devices (e.g. license dongles) having the same system descriptions and same vendor/product IDs.

Any comment entered is exclusively associated with the port number and not the USB device. This means if another USB device is connected to the respective port, any previously entered comments remain intact.

Requested

Indication whether and, if appropriate, how long USB devices are connected on the respective computer.

Client


IP address of the computer on which the USB device is connected. To open a connection to this USB device this column must be blank.

State

Error and status messages for the respective USB device.

4.3.1 Automatic inventory list creation

Here the local subnet is automatically scanned for W&T USB-Servers and USB devices connected to them. The inventory is done in two phases: first the W&T USB-Servers are found using a UDP broadcast (port 8513). Then any connected USB devices are queried using a TCP connection to the UsbServerPort (default setting 32032). If the UsbServerPort was reconfigured via Web Based Management on the USB-Server, the specified TCP-Port must be changed accordingly in the Properties dialog box.

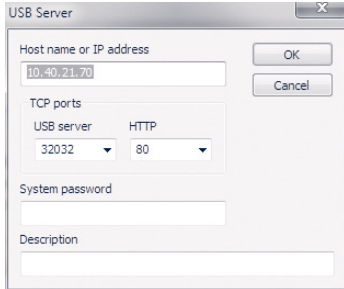
The search is carried out automatically each time the configuration tool is started and when creating a new list using the File → New function. A manual search can be performed at any time by clicking the  Scan button.

***i* Inventory scan port**

The automatic inventory scan uses the UDP-Port 8513 as well as the configurable USB-Server TCP Port (default 32032). Should you have firewall or security software installed on your workstation, please ensure that the inventory scan is not hindered by them

4.3.2 Manual entries in the configuration list

Remote USB-Servers connected through routers or gateways cannot be detected by the automatic scan function of the configuration tool. In such cases, the entry in the inventory list must be added manually. The menu path Devices → Insert new opens the following dialog:



Enter the IP address or the host name of the desired USB-Server. The local TCP port on the USB-Server used for further communication defaults to 32032. If the UsbServerPort was reconfigured via Web Based Management on the USB-Server, the specified TCP-Port has to be changed accordingly in the Properties dialog box.

Clicking on OK adds the USB-Server to the inventory and the configuration tool attempts to use the specified TCP port to identify the connected USB devices.

4.3.3 Saving and opening inventory lists

Especially in routed environments with manually added USB-Servers it is often useful to save created inventory lists.

The configuration will always load the last known inventory file on startup and check the listed USB-Servers for connected devices. In addition, the local network is always scanned for new devices.

Saved but no longer accessible devices remain in the list but are grayed out.

5. Claiming USB devices

Connections to USB devices are managed by the USB Redirector. Integrating the desired USB device incorporates it into the Plug & Play system in Windows, and the necessary drivers are installed and loaded. Afterwards, the device can be used just as if it were locally connected.

- **Quick connection of USB devices**
- **Advanced claiming of USB devices**
- **Releasing USB devices**
- **Script-controlled integration of USB devices**

5.1 System behaviour and conflict resolution

A USB device can only be used by one PC at any given time. Only after the prior connection has been closed can a new connection to the device be opened by a different computer. The information as to whether a USB device is already in use can be found in the Users column in the inventory list.

The procedure described below for including a USB device is irrespective of any conflict. In other words, integration can be accomplished in the USB Redirector even if the desired USB device is currently being used by another station. If the desired USB device is in use, the USB Port Redirector cyclically attempts to open a connection.

Conflict protection refers to the respective USB port to which the device is connected. This means a simultaneous access to different USB ports on the same USB-Server from two different workstations does not pose a problem.

5.2 Quick claiming of USB devices

Select the desired USB device in the inventory list of the configuration tool and click the Claim button:



An immediate connection to the selected USB device is opened without any further configuration dialog. After initial installation of the USB Redirector this is done without any special options, and the connection remains open until either the Release button is activated or the configuration tool is closed.

The type of connection initiated by the Claim button can be adjusted to special requirements. To do this, activate the desired options in the Advanced dialog and then check *Use as standard* at the bottom of the window.

Application examples

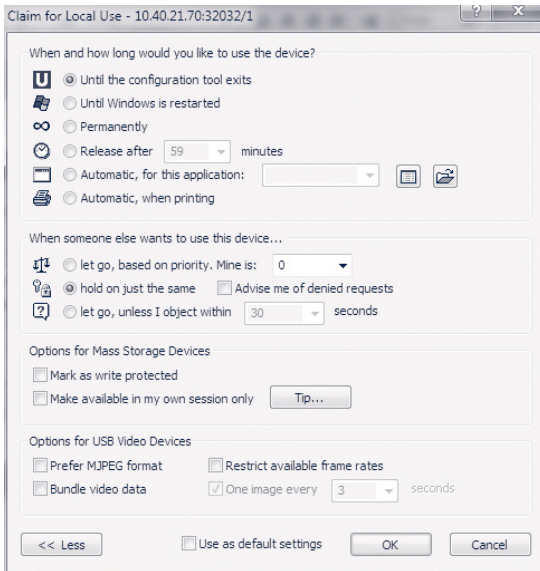
Application examples such as operation of dongles or cameras can be found in the appendix

5.3 Advanced claiming of USB devices

Select the desired USB device in the inventory list of the configuration tool and click the Advanced button:



Divided into the following four function groups, the Advanced dialog allows you to activate various options for claiming the USB device.




5.3.1 When/for how long do you want to use the device?



- until configuration tool exits**
 The USB device remains connected until the connection is manually closed or the configuration tool is closed.
- until Windows is restarted**
 The device remains linked in the system until Windows is restarted. The configuration tool can be closed without affecting the connection to the device.

- 
 permanent

The USB device is linked permanently. When the computer is restarted an attempt is automatically made to link the device again on startup. Due to the implementation as a core driver, no Windows user login is necessary.

- 
 ends after

The USB device is added for the specified time. After this time expires, the connection is automatically closed so that the USB device is available for other users.

- 
 automatic, for this application:


Incorporation of the USB device is linked to the start of another application. When the specified program is started the connection is opened. Closing the application releases the device.

- 
 automatic, while printing

Incorporation of the USB device is linked to the Windows print system. The connection is established as soon as there is a print job in the Windows printer spooler. Once the print job is finished, the USB device is released.

5.3.2 If someone else wants to use the device


Connections to USB devices are always exclusive. This means that a competing access from a different PC is rejected by the presetting. The following options permit a controlled take-over of the USB device by a different USB Port Redirector.

- 
 let go, based on priority. Mine is:

The decision whether take-over of the USB device is possible is made based on a freely selectable priority value assigned by the administrator. If the competing access has higher priority, the first connection is closed and the USB device is connected to the second PC.

- 
 hold on just the same

With this option the USB Redirector will reject any take-over attempts by competing users. Only after the connection is closed is the USB device available to other applications or users.

-  let go, unless I object within seconds

The user having the connection is informed of the connection request from the competing PC in the form of a balloon notification. Within the configured time this competing access is rejected by means of the configuration tool or it is directly allowed. Use the right mouse key to select the corresponding USB device from the inventory list and select deny device take-over or approve device take-over. If the configured time expires without response the device take-over is automatically approved.

5.3.3 Options for the mass storage devices

- Mark as write protected

This option designates mass storage devices as write-protected. This is only an attribute flag on the Windows level, i.e. the write access is not blocked on the USB level. In our experience, Windows system components (file system, data medium management) do, however, observe write protection activated using this method.

- Make available in my own session only

This option only has meaning if the USB Redirector is installed on a terminal server and the user wants to claim USB devices in terminal sessions independent of each other.

i Limiting connection to own session

This is not a security but rather only a convenience function. It limits the visibility of devices in other sessions but cannot effectively prevent undesired cross session accesses.

5.3.4 Options for video devices

Transmission of isochronous video data streams may require a very high transmission bandwidth depending on the selected resolution and frame rate, which may exceed the available network bandwidth. For applications which do not permit suitable adjustments on the user side (frame rate, compression etc.) the USB Redirector provides the following options for bandwidth management.

- Prefer MJPEG format

If this option is activated, the USB Redirector will filter out all uncompressed video modes of the video camera and only leave compressed video descriptors available to the system.

- Restrict available frame rates

If this option is activated, the USB Redirector will filter out video settings with a high resolution and high frame rate from the video descriptors.

- Bundle video data

In this mode the USB Server temporarily stores the individual camera frames and the USB Redirector retrieves them individually. As soon as one frame is fully received the next one is requested. As a consequence of this buffering technique, the frame rate configured in the application is reduced by about a third.

i Bundling video data

Bundle Video Data mode can only be activated for one port on the USB Server.

- One image every 3 seconds

This option is only available if Bundle Video Data mode is activated. Camera frames are only retrieved at the specified frame rate. Especially for narrow-band network connections, e.g. via VPN over the internet, this option can help to prevent complete utilization of the network connection.

5.4 Releasing connections

Select the desired USB device from the inventory list of the configuration tool and click the Release button:



Clicking the button will trigger the unplug event in the Windows Plug&Play system, just like removing the USB device from a local USB port would.

5.5 Script based device claiming

As an alternative to the graphical configuration tool, the core driver of the USB Redirector can also be controlled by the command line tool `usbcontrol.exe`. This makes it possible to implement incorporating and deleting USB devices using batch jobs or scripts, e.g. when working with dongles.

The tool is located in the directory for the program group W&T USB Port Redirector.

Calling `usbcontrol /?` provides an overview of the available commands and brief examples.

Command line commands

```
usbcontrol /ADD [/P] <server> <port> [/MASTER <server> <port>] [/PRI <pri>] [/IHO <sec>]
```

`/ADD` → Add a USB device

`/P` → Optional parameter for permanent adding of a device, even after a restart of the computer. Without this option the incorporation of the USB device ends when Windows is rebooted.

`/MASTER <server> <port>` → Optional parameter for incorporating as a backup device for the USP Server denoted with `<server>` as IP address or host name. `<port>` refers to the desired USB port on this Master-USB-Server (1 or 2).

`/PRI <pri>` → Permits a priority-based takeover of the USB device by another computer. If the competing access has higher priority, the first connection is closed and the USB device is connected to the second computer instead.

`/IHO <sec>` → Permits an interactive takeover of the USB device managed by the graphical configuration tool of the USB Redirector by a different computer. The current user of the connection is notified of the competing connection request by a balloon notification. Within the time specified by `<sec>` this attempt may be rejected or allowed by the configuration tool. To do this, right-click on the corresponding USB device in the inventory list and select `accept` or `reject device handover`. If the configured time expires without reply the device takeover is automatically accepted.

```
usbcontrol /DEL <server> <port> [/MASTER <server> <port>]
```

/DEL → Close the connection to a USB device. By deleting the master device in a pool, all other backup devices are automatically removed as well.

/MASTER <server> <port> → Optional parameter if the previous incorporation as backup device for the USB Server was done for the pool indicated with <server> as IP address or host name. <port> indicates the desired USB port of the master (1 or 2).

```
usbcontrol /LIST
```

/LIST → Provides the list of the added USB devices

```
usbcontrol /SLEEP <ms>
```

/SLEEP → Postpones further running of the batch job by the time in ms specified by <ms>.

```
usbcontrol /SUSPEND <server> <port>
```

/SUSPEND <server> <port> → Suspends the incorporation of a USB device until the next Windows restart or until the option /RESUME is invoked. <server> indicates the IP address or host name of the USB server. <port> determines the USB port to which the USB device is connected (1 or 2). Instead of <server> and <port> a * can be entered as a wildcard. In this case all current incorporations of USB devices are suspended.

```
usbcontrol /RESUME <server> <port>
```

/RESUME <server> <port> → Undoes a previous /SUSPEND action and reincorporates the USB device. Instead of <server> and <port> a * can be entered as a wildcard. In this case all suspended incorporations of USB devices are restored.

i Inventory

An inventory of the USB servers and USB devices available in the network is not possible using usbcontrol. Instead you need to use the graphical configuration tool of the USB Redirector.

Example 1

Incorporate a USB device, wait 5 seconds and then release the device again.

```
UsbControl /ADD 10.70.41.18 1
UsbControl /SLEEP 5000
UsbControl /DEL 10.70.41.18 1
```

Example 2

Incorporate a USB device and further incorporate another device as a backup device.

```
UsbControl /ADD 10.40.41.18 1
UsbControl /ADD 10.40.41.18 2 /MASTER 10.40.41.18 1
```

Example 3

Establishes a permanent incorporation of the USB device and subsequent suspension of all connections to incorporated USB devices. When Windows is restarted the connections to all permanently incorporated USB devices are automatically restored.

```
UsbControl /ADD /P 10.40.41.18 1
UsbControl /SUSPEND *
```


6. Web Based Management

The W&T USB-Server configuration is Web-based and can be opened using any Web browser. WBM (Web-Based Management) is session-oriented. This means changed settings are stored temporarily on the device and are only transferred to the non-volatile setup of the USB-Server once the final Save function is called.

- **Navigation within the WBM**
- **List of connected USB-Devices**
- **Network parameters**
- **Diagnostic functions**

6.1 Starting and navigating the WBM

To access the WBM of the USB-Server, start your browser of choice and enter the IP address of the USB-Server and a port number, if appropriate.

http://[IP address]:[port number]

The factory default setting is for HTTP standard Port 80. In this case you do not need to enter the port number in the address line.

6.1.1 Navigation concept of the USB-Server

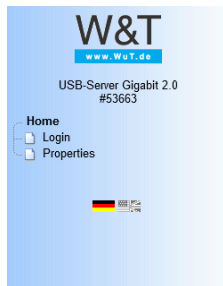
The WBM of the USB-Server is session-oriented using a password-protected login. Without a login the start page simply shows basic information but does not permit any changes to the settings.

After logging in you can make any number of changes during a configuration session. Clicking on the Apply button on the respective pages causes them to be temporarily stored on the USB-Server. Once all the settings have been made, navigate to the Logout page and click on Save. Only now are all changes transferred to the non-volatile memory of the USB-Server and the live configuration is updated..

You can exit a configuration session at any time without saving your changes by clicking on the Cancel button on the Logout page.

6.1.2 The Start page of the USB-Server

The basic structure of the Web pages in the USB-Server is divided into the navigation tree on the left side and the main frame with the contents of the respective menu branch on the right side.



Home

USB-Server-096103

Refresh						
USB Device	Beschreibung	Manufacturer Name	USB Speed	Connected PC	Duration	Port
USB-Server-Port 1						
	Logitech BRIO	046d-085e	high			1
1 USB-Device(s)						
USB-Server-Port 2						
0 USB-Device(s)						

Without logging in you can view a list of the connected USB devices with their associated information.

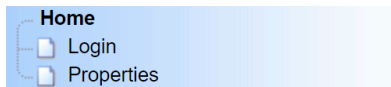
After a successful login, the Start page also gives you the option of performing a reset specifically for each of the two USB ports. The reset turns off power to the corresponding port for approximately 3 seconds.

6.2 WBM Configuration Session

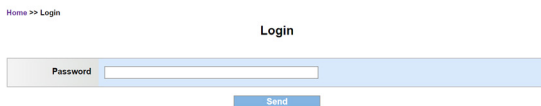
Settings on the W&T USB-Server are made within password-protected configuration sessions. These are exclusive, i.e. only one session can be active at any given time.

6.2.1 Login

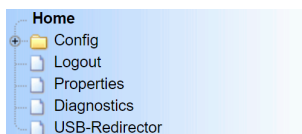
The Login link in the navigation tree takes you to the login page of the USB-Server.



In its factory default setting the USB-Server does not require a password. In this case the Password input remains blank, and clicking on the Login button starts a configuration session. If a password was assigned by the user, it must of course be entered here.

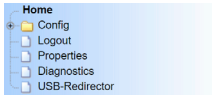


After successful login an expanded configuration tree is shown.



6.2.2 Logout

A configuration session can be closed by using the Logout page of the USB-Server



i Connection loss

All functions except for Cancel cause all active connections from PCs to connected USB devices to be temporarily closed. To prevent data loss, we recommend to notify any users listed on the homepage of the USB-Server of the connection loss in advance.

Save

... closes the session and saves all changes made to the non-volatile memory of the USB-Server. If the changes require restarting the device, this is automatically performed.

Logout

... closes the session and cancels all changes.

Factory defaults

... closes the session and reverts to the settings of the USB-Server. All settings which are different from the default values including the network parameters are lost.

i IP Assignment

In environments with static network parameters (no DHCP) assigning the new IP address can be done only from a workstation which is located in the same subnet as the USB-Server.

Restart

...closes the session without saving any changes and restarts the USB-Server.

6.3 WBM - Passwort und Passwortvergabe

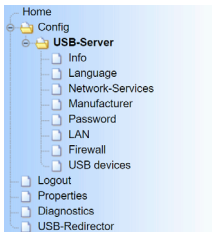
The password may be up to 32 characters long and protects the following configuration accesses to the W&T USB-Server.

- Web Based Management
- Up-/Download of configuration files
- Firmware-Update
- Reset Port
- Settings via WuTility

i Password reset

Deleting an unknown or forgotten password can only be done by a hardware reset of the USB-Server to its default settings.

Configuration → USB-Server → Password in the navigation tree takes you to the Web page for assigning or changing the password.

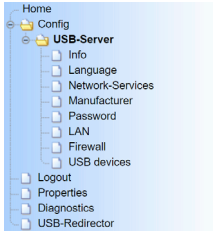


To create or change a password you must first activate the Change password option. The new password must then be entered twice in both input fields. Send applies the change temporarily. To permanently store the change in non-volatile memory, use the logoff page and click on Save.

Change password	<input checked="" type="checkbox"/>	Check here for modifying the password
Password	<input type="text"/>	
Re-enter	<input type="text"/>	

6.4 WBM - Network parameters

Configuration → USB-Server → LAN in the navigation tree takes you to the Web page with the network-side basic parameters.



i Connection loss when changing network parameters

Saving changes made here closes any connections from PCs to connected USB devices. To prevent data loss, we recommend any users listed on the homepage of the USB-Server to be previously notified.

Enable DHCP	<input type="checkbox"/>	Activates automatic IP-settings via DHCP
IP-Address	<input type="text" value="190.107.233.110"/>	Scheme: xxx.xxx.xxx.xxx
Subnet Mask	<input type="text" value="255.255.255.0"/>	Scheme: xxx.xxx.xxx.xxx
Gateway	<input type="text" value="0.0.0.0"/>	Scheme: xxx.xxx.xxx.xxx

Enable DHCP	<input type="checkbox"/>	Activates automatic IP-settings via DHCP
--------------------	--------------------------	--

In DHCP mode the USB-Server obtains the network-side basic parameters IP address, subnet mask and gateway address from a DHCP server located in a network. In Static mode these parameters are determined statically using the following entry fields. Detailed information about both modes can be found in the sections DHCP Mode and static mode.

IP-Address	<input type="text" value="190.107.233.110"/>	Scheme: xxx.xxx.xxx.xxx
-------------------	--	-------------------------

For entering the IP address when DHCP is disabled.

Subnet Mask	<input type="text" value="255.255.255.0"/>	Format: xxx.xxx.xxx.xxx
--------------------	--	-------------------------

For entering the subnet mask for the respective network when DHCP is disabled.

Gateway	<input type="text" value="0.0.0.0"/>	Scheme: xxx.xxx.xxx.xxx
---------	--------------------------------------	-------------------------

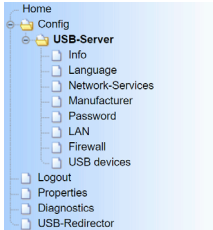
For entering the gateway for the respective network when DHCP is disabled.

***i* Valid network parameters**

Valid values for IP address, subnet mask and gateway can be obtained from your network administrator. If you assign the IP address yourself, be sure that there are no address conflicts with other devices.

6.5 WBM - Network services

From Config → USB-Server → Network Services you can configure and deactivate all TCP/UDP port numbers of the USB Server network services.



i Changing service settings

Changing and deactivating the services listed here can result in failure of application, configuration and help services. We therefore recommend using caution when making changes here and documenting those changes.

6.5.1 Web-Based-Management

activate Web-Access	<input checked="" type="checkbox"/>	
Protocol	<input checked="" type="radio"/> HTTP <input type="radio"/> HTTPS	Higher security when using HTTPS
HTTP-Port (TCP)	<input type="text" value="80"/>	
HTTPS-Port (TCP)	<input type="text" value="443"/>	
Personal HTTPS certificate	<input type="checkbox"/> (No certificate file existing)	
Private-key	<input type="text" value="Datei auswählen Keine ausgewählt"/>	
HTTPS-certificate	<input type="text" value="Datei auswählen Keine ausgewählt"/>	
CA-Chain	<input type="text" value="Datei auswählen Keine ausgewählt"/>	

Web access allows you to configure the USB Server with the help of a browser. By factory default the HTTP protocol is set to standard port 80. In security-critical applications you may choose to use the encoded and certificate-based HTTPS protocol.

i Deactivating the web access

Deactivating web access or entering unknown values here may cause the USB Server to no longer be configurable. Resetting these parameters to their standard values is then possible only by means of a hardware reset to the factory settings.

6.5.2 USB-Server Service

Enable USB-Server Service	<input checked="" type="checkbox"/>
USB-Server-Port (TCP)	<input type="text" value="32032"/>

The USB Server service is used to enable the actual data exchange between the USB Redirector and the overlaid device drivers and USB terminal device. The port number used must be the same as used in the USB Redirector. Once a service is deactivated, a connection to connected USB devices is no longer possible.

6.5.3 SNMP

SNMP-Access	<input checked="" type="checkbox"/>	Activates the SNMP-access to the box
SNMP-Port (UDP)	<input type="text" value="161"/>	

SNMP makes it possible to integrate the USB-Server into a network management system. Access is read-only to parts of the MIB2. Write access is not possible. The protocol version is SNMPv2c and the community string is public.

6.5.4 Reset-Port

Enable Reset-Port	<input checked="" type="checkbox"/>
Reset-Port (TCP)	<input type="text" value="8888"/>

The Reset port configured here can be used to perform a reset of the USB Server. If no password is configured, the USB Server first accepts the connection but then immediately closes it again and carries out the reset. If a password is assigned, it must be sent to the USB Server with a null terminator within 2s after the TCP connection is established.

6.5.5 Firmware-Update service

Allow Firmware-Update	<input checked="" type="checkbox"/>	Via Port 69 (UDP)
-----------------------	-------------------------------------	-------------------

If this service (TCP port 2682) is enabled, the inventory and management tool WuTility can be used to send new firmware to the USB Server. In addition, the WuTility Management service must be enabled to perform an update.

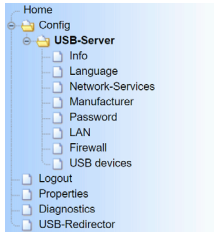
6.5.6 WuTility-Management

activate WuTility-Management	<input checked="" type="checkbox"/>	Via Port 8513 (UDP) and 69 (UDP)
------------------------------	-------------------------------------	----------------------------------

This service on UDP port 8513 allows WuTility as well as the USB Redirector to automatically detect USB Servers connected in the local network.

6.6 WBM Device Information and WBM configuration

From Config → USB-Server → Info/Language/Manufacturer you can adapt non-functional texts and descriptions (location, service contact, installer etc,) for the USB-Server.



Other than for the system name these texts have no effect on the operation and function of the device.

6.6.1 System name

From Config → USB-Server → Info you can change the system name of the USB Server. This is invoked and used by the following applications and services:

- DHCP
- USB Redirector
- WuTility

To generate a unique system name the placeholder tag <wut1> can be used. When invoking or outputting the system name the USB Server automatically replaces this tag with the last three places of the MAC address.

6.6.2 USB Port Description

A freely modifiable annotation can be assigned to a USB port in the menu branch Config → USB-Server → USB devices. This annotation is then also displayed in the USB Redirector.

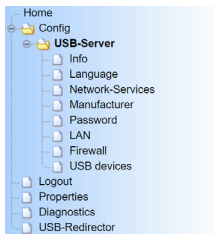
This option is convenient when multiple connected USB devices do not differ in their descriptors, i.e. have the same system names and same vendor/product IDs.

The description entered here is assigned exclusively to the port number indicated in

the Port column - not the connected device. This means if the USB devices are later moved, the description text does not move with the USB device but rather stays with the original port.

6.7 WBM - Firewall

The firewall function allows IP-based access to the USB server to be restricted. You can select between a whitelist with explicit releases or a blacklist with explicit blocks.

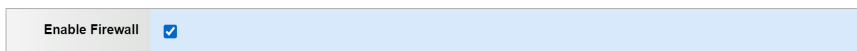


The firewall controls the entire IP-based data traffic. In addition to access to the USB devices via USB Redirector, all other services (ping, web-based-management, firmware updates, etc.) are also affected. For example when using the whitelist, hosts which are not explicitly named can access neither the web pages of the device nor the USB devices themselves.

i Reachability of the USB-Server

Please take special care with regards to the network connection between your workstation and the USB-Server when configuring the firewall settings. A wrong firewall configuration can only be altered from a non blocked IP address or by means of a factory default reset.

6.7.1 Activating the firewall



Activating the firewall enables the options Black-/Whitelist.

Access-type	<input checked="" type="radio"/> Blacklist <input type="radio"/> Whitelist
-------------	---

6.7.2 Whitelist

The whitelist contains IP addresses or IP address ranges for which access to the USB Server is explicitly permitted. Hosts not contained in this list cannot communicate with the USB Server.

Whitelist Example 1

IP-Adresse: 10.11.12.5

Subnet Mask: 255.255.255.255

IP address 10.11.12.5 can access the USB Server, all other hosts are rejected.

Whitelist Example 2

IP-Adresse: 10.11.12.0

Subnet Mask: 255.255.255.0

The IP range from 10.11.12.1 to 10.11.12.254 can access the USB Server, all other hosts are rejected.

If the whitelist contains workstations located in other subnets, the according gateway also needs to be added to the whitelist.

6.7.3 Blacklist

The blacklist contains IP addresses or IP address ranges for which access to the USB Server is explicitly denied. Only hosts not contained in the blacklist can communicate with the USB Server.

Blacklist Example 1

IP-Adresse: 10.11.12.5

Subnet Mask: 255.255.255.255

IP address 10.11.12.5 cannot access the USB Server, all other hosts are accepted.

Blacklist Example 2

IP-Adresse: 10.11.12.0

Subnet Mask: 255.255.255.0

The IP range from 10.11.12.1 to 10.11.12.254 cannot access the USB Server. All other hosts not included in this range are accepted.

7. Appendix

- Up-/Download of configuration files
- Firmware-Update
- Reset to factory defaults
- Used ports and network security
- Technical data




7.1 Application example: Dongle device pool

When working with multiple licensed dongles of the same type which are needed by different users in the network, you can use a USB device pool. Beginning with the start of a particular program, the USB Redirector claims the next unused dongle in the device pool.

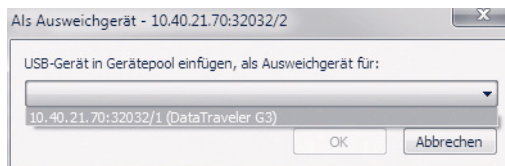
A USB device pool is always based on a master device and one or more backup dongles associated with this master unit. When the triggering program is started, the USB Redirector begins to open the connection to one of the dongles assigned to the pool.

Example: Setting up a device pool with two dongles




1. First connect both dongles to the USB Server(s) in the network and refresh the inventory list for the USB Redirector. USB Servers not located in the local subnet may have to be manually added using Devices → Insert new.
2. Select one of the dongles and click on the Advanced button. In the following dialog select the option automatic, for this application, select the program protected by the dongle and confirm with OK.

	Kennung	Port	Beschreibung	Angefordert	Benutzer	Status
	10.40.21.70	32032	USB-Server-0665E2			
	0951-1643	1	Dongle	für test.exe, wartet		
	0951-1643	2	Dongle			

3. Now select the desired backup device by right-clicking and select the option *Add To Device Pool*.



Select the previously claimed master unit and confirm with OK.

	Kennung	Port	Beschreibung	Angefordert	Benutzer	Status
	10.40.21.70	32032	USB-Server-0665E2			
	0951-1643	1	Dongle	für test.exe, wartet		
	0951-1643	2	Dongle	Ausweichgerät		

4. Define any additional backup devices as described under 3.

7.2 Application example: USB cameras

The bandwidth required by the USB cameras depends on the selected resolution and frame rate as well as whether the transmission is compressed or uncompressed. The following table lists some typical single-frame sizes:

Resolution	approx. data usage [MBit / frame]	
	YUY2	MJPEG
1920x1080	34,4	5,7
800x600	7,7	3,3
640x480	5,0	2,0
320x240	1,3	0,5

Typical frame sizes for Microsoft LifeCam Studio, black/white grid

Ignoring any additional data load, a 100BaseT network provides nearly 80 Mbps (~10MB/s). This means that compared with the local USB port at 480 Mbps not all combinations of resolution, frame rate and compression offered by the camera will be possible.

i Showing performance data

The actual performance data for an active connection can be viewed in the USB Redirector by right-clicking on the desired USB device and selecting the menu item Performance Data.

Resolution/frame rate/compression & network bandwidth

USB cameras provide the responsible camera driver with information about the supported operating modes and resolutions in the form of USB descriptors. These are passed on to the video applications after they are read out. Both the passing of supported modes from the device driver to the video application and the corresponding configuration dialog for the user may be incomplete.

The USB Redirector provides the possibility of bandwidth management especially for such cases in combination with relatively narrow-band connections (e.g. DSL, VPN etc.). This allows the camera mode consisting of resolution, frame rate and compression to be adjusted to the actually available bandwidth.

- Prefer MJPEG format

If this option is activated, the USB Redirector will filter out all uncompressed video modes of the video camera and only leave compressed video descriptors available to the system.

- Restrict available frame rates

If this option is activated, the USB Redirector will filter out video settings with a high resolution and high frame rate from the video descriptors.

- Bundle video data

In this mode the USB Server temporarily stores the individual camera frames and the USB Redirector retrieves them individually. As soon as one frame is fully received the next one is requested. As a consequence of this buffering technique, the frame rate configured in the application is reduced by about a third.

***i* Bundling video data**

Bundle Video Data mode can only be activated for one port on the USB Server.

- One image every seconds

This option is only available if Bundle Video Data mode is activated. Camera frames are only retrieved at the specified frame rate. Especially for narrow-band network connections, e.g. via VPN over the internet, this option can help to prevent complete utilization of the network connection.

7.3 Up-/Downloading the configuration data

WuTility allows you to read the configuration profiles from the USB Server and also send them back. This is a way to archive more complex setting profiles and/or load them into other devices as needed.

The USB Server provides the configuration data as an xml file in a zip compressed archive. This makes it possible to modify the data using a text editor before uploading to another device.

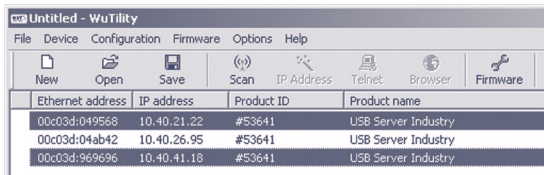
i Manual editing of configuration files

After externally editing a configuration profile, you must be sure that when saving the changes the file/directory structure contained in the ZIP file remains unchanged.

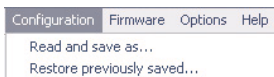
When uploading a configuration file to a USB Server, the latter copies all the settings contained in the profile with the exception of the following two parameters. The IP address contained in the uploaded profile is ignored. Any password set in the USB Server is deleted by a configuration upload and may then need to be reset.

7.3.1 Up-/Downloading the configuration using WuTility

After starting WuTility first highlight one or more USB servers in the inventory list.



Upload or download from the following menu paths:



The downloaded configuration profiles are named by default using the IP address of the devices.

7.4 Firmware Update

The operating software of the USB-Server is constantly being improved. The following section describes the procedure for uploading the firmware.

7.4.1 Where is the current firmware available?

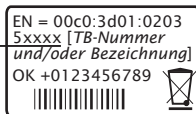
The latest firmware including the available update tools and a revision list is published on our Web site at the following address:

<http://www.wut.de>

The easiest way to navigate there is to use the Search function on the left side. First enter the model number of your device in the entry field.

If you do not know the model number, you can find it on the sticker on the narrow side of the housing. There the Ethernet address is also printed.

Typnummer



7.4.2 Firmware update under Windows

A firmware update requires that the services Enable firmware update and WuTility-Management be activated in the USB Server (see section WBM - Network services). No other preparation is needed for the USB Server.

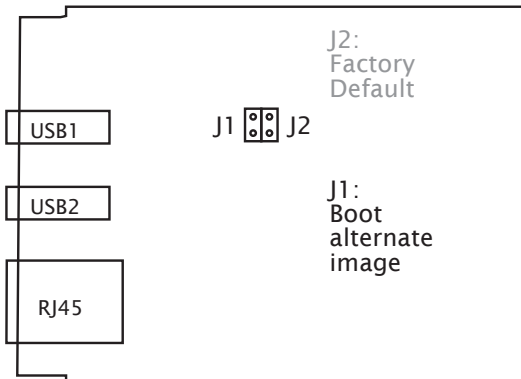
New firmware is sent to the USB-Server using the WuTility management tool. In the inventory list highlight the desired USB-Server and then click on the Firmware button.



In the following dialog box you select only the firmware file you want to send (*.uhd) and then click on the Continue button. After successful sending the USB-Server automatically performs a restart and is then ready to use.

7.4.3 Interrupted updates, alternate image

If a firmware update is unsuccessfully aborted, for example due to an interrupted network connection, the USB Server will then no longer be functional. In this case bridging jumper J1 at the next system start will reactivate the previous firmware. A subsequent and complete firmware update will restore the corrupted image. To start the new firmware for normal operation open jumper J1 and perform a reset of the USB Server.



7.5 Resetting the USB-Server

Restarting the USB Server (comparable with a power-down reset) can be done using the TCP reset port on the USB Server. The factory default setting for this is TCP/8888. Web-Based-Management can be used to deactivate this service or configure the port number.

A reset using this service has no effect on the saved configuration of the USB Server. Only connections to connected USB devices which are open at this point in time are closed.

The reset can for example be performed using the configuration tool of the USB Redirector. Right-click on the desired USB Server and then select Reset Device.

Use of the system password

If a system password has been configured, this must be null terminated (= [password] + 0x00) and sent to the USB-Server within 2s after a successful connection opening. If the USB-Server receives an incorrect or no system password within this time, it sends the message PASSWD? followed by a null byte (0x00) to the client and closes the TCP connection..

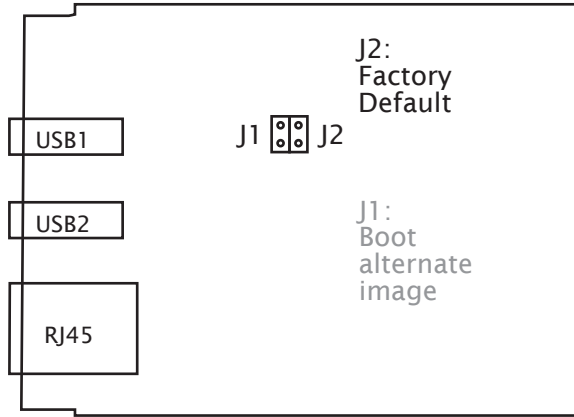
If no system password is configured, the USB-Server, as described in the example, immediately closes the TCP connection after it is opened and performs a reset.

The USB-Server can be reset to its factory default settings using the following methods.

7.6.1 Hardware reset to factory default settings

The motherboard of the USB Server has two adjacent jumpers which are both open for standard operation. To reset to the factory default settings close only J2 and then connect the USB Server to power.

The system LED flashes green rapidly until the reset is completed. If the flashing sequence of the system LED changes to a slow green flashing, open jumper J2 again and perform a power-down reset. All parameters of the USB server are now back to their factory defaults.



Opening the device

First disconnect all cables from the USB-Server. Open the DIN rail mount housing by gently pressing on the narrow sides of the housing. The housing cover can now be removed and the board removed from the housing body.

7.6.2 Software reset to factory default settings

In addition to the hardware method, the USB-Server can also be restored to its factory default settings using Web-Based-Management. After Login the Factory Defaults button is visible in the Logout menu branch.

7.7 Used ports and network security

In its standard factory setting the USB-Server uses the TCP and UDP port numbers shown in the table below.

Port number	Application	Password protected	Configurable / Optional
32032 (TCP)	USB Server Service	no	yes/yes
80 (TCP)	HTTP Server	yes	yes/yes
443 (TCP)	HTTPS Server	yes	yes/yes
8888 (TCP)	Reset port	yes	yes/yes
2682 (TCP)	FW-Update Initialization	yes	no/yes
8513 (UDP)	Inventory	no	no/yes
161 (UDP)	SNMP	no	no/yes
69 (UDP)	FW-Update Data	yes	no

Different TCP port numbers must always be used for any reconfiguration of the factory default setting for USB data transmission services and the WBM.

Network security

Network security is being given increasing attention today, and rightly so. All experts agree that there is no such thing as absolute security given today's state of the art. Each customer must therefore seek an appropriate balance between security, functionality and cost for his specific needs and circumstances.

To give the customer the greatest possible flexibility based on changing security requirements, from a purely testing and installation environment to critical production applications, the security measures are highly configurable. The present document provides an overview of the security measures implemented in USB-Servers which can be used. It is assumed that the original firmware from W&T (without any customer-specific adaptations) is being used. Additional details can be found in the respective sections of this manual.

Access concept of the USB Server

Network access to the USB Server can be controlled by an IP-based firewall. By default no firewall rules are configured, so that any network device can access the Server. Access restrictions are formulated in the form of a whitelist (authorized hosts) or blacklist (unauthorized hosts) and stored in the USB Server. Details can be found in the corresponding section of this manual.

The authorization concept of the USB-Server

The control and configuration access to the USB-Server is password protected. The factory default setting is for no password, so that simply logging in provides full access to the corresponding settings and functions. To prevent unauthorized access, we therefore strongly recommend using a password. Additional related measures, such as the composition of the password and regularly changing it, should be organizationally ensured as needed by the customer.

Passwords are sent to the USB-Server unencrypted. It must therefore be ensured that password-protected access takes place only using an Intranet which the customer presumes to be secure. For access over the public Internet additional measures must be taken, for example constructing a VPN tunnel (Virtual Private Network). This is however a general problem of network security for which each customer must find an individual solution.

Ports with special functions

In addition to access using Web Based Management, other functions can be enabled using various TCP and UDP ports. These are shown in the previous table. Details can be found in the corresponding sections of this manual.

- **Inventory tool WuTility**

Like all intelligent components from W&T the USB-Server can be accessed using the WuTility tool. Here information is read from UDP port 8513. This port can be turned off. No write access is possible through this path.

- **SNMP**

To incorporate the USB-Servers into an SNMP-based network management system, parts of the MIB2 are accessible using SNMPv2c (Community = public). The port is not configurable but can be switched off.

- **Firmware-Update**

(see section Firmware-Update)

Initializing a firmware update is handled by the system password protected TCP

port 2682. After successful initialization the actual firmware data is sent to the USB-Server via TFTP (UDP/69). Only the operating system of the USB-Server is updated by the firmware upgrade. The configuration data (IP address, gateway etc.) remain intact.

- **Reading/Writing of Configuration data**

(see section Up-/downloading the configuration data)

The configuration profiles can be read from and written to USB-Servers using the WuTility tool. This is done using the TCP port reserved for Web-Based-Management.

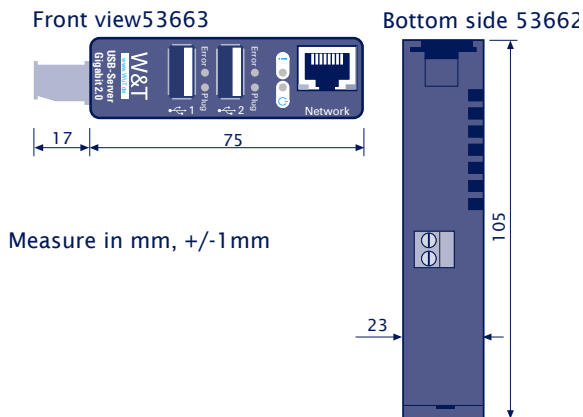
- **USB-Server Reset**

(see section Resetting the USB-Server)

TCP port 8888 permits a complete reset of the USB-Server. The port is configurable, can be disabled and is password protected.

7.8 Technical data

Property	Value
Power supply	
Power-over-Ethernet	37-57VDC from PSE
External Supply, Screw Terminal	24-48VDC (+/- 10%)
Current draw	
Power-over-Ethernet	PoE Class 3 (6,49-12,95W)
Ext. Supply, no USB-Load	120mA (typ) @ 24VDC
Ext. Supply, 2x 2,5W USB-Load	420mA (typ) @ 24VDC
USB ports	2x Typ A
USB speed	480Mbit/s
Permissible ambient temperature	
Storage	-40 bis +85°C
operation, non cascaded	0 bis +50°C
Permissible relative humidity	0 bis 95% (non condensing)
Dimensions	23 x 105 x 75 (H x D x W) [mm]
Weight	approx. 200g



7.9 Licenses

GNU GENERAL PUBLIC LICENSE
Version 2, June 1991

Copyright (C) 1989, 1991 Free Software Foundation, Inc.,
51 Franklin Street, Fifth Floor, Boston, MA 02110-1301 USA
Everyone is permitted to copy and distribute verbatim copies
of this license document, but changing it is not allowed.

Preamble

The licenses for most software are designed to take away your freedom to share and change it. By contrast, the GNU General Public License is intended to guarantee your freedom to share and change free software--to make sure the software is free for all its users. This General Public License applies to most of the Free Software Foundation's software and to any other program whose authors commit to using it. (Some other Free Software Foundation software is covered by the GNU Lesser General Public License instead.) You can apply it to your programs, too.

When we speak of free software, we are referring to freedom, not price. Our General Public Licenses are designed to make sure that you have the freedom to distribute copies of free software (and charge for this service if you wish), that you receive source code or can get it if you want it, that you can change the software or use pieces of it in new free programs; and that you know you can do these things.

To protect your rights, we need to make restrictions that forbid anyone to deny you these rights or to ask you to surrender the rights. These restrictions translate to certain responsibilities for you if you distribute copies of the software, or if you modify it.

For example, if you distribute copies of such a program, whether gratis or for a fee, you must give the recipients all the rights that you have. You must make sure that they, too, receive or can get the source code. And you must show them these terms so they know their rights.

We protect your rights with two steps: (1) copyright the software, and (2) offer you this license which gives you legal permission to copy, distribute and/or modify the software.

Also, for each author's protection and ours, we want to make certain that everyone understands that there is no warranty for this free software. If the software is modified by someone else and passed on, we want its recipients to know that what they have is not the original, so that any problems introduced by others will not reflect on the original authors' reputations.

Finally, any free program is threatened constantly by software patents. We wish to avoid the danger that redistributors of a free program will individually obtain patent licenses, in effect making the program proprietary. To prevent this, we have made it clear that any patent must be licensed for everyone's free use or not licensed at all.

The precise terms and conditions for copying, distribution and modification follow.

GNU GENERAL PUBLIC LICENSE
TERMS AND CONDITIONS FOR COPYING, DISTRIBUTION AND MODIFICATION

0. This License applies to any program or other work which contains a notice placed by the copyright holder saying it may be distributed under the terms of this General Public License. The "Program", below, refers to any such program or work, and a "work based on the Program" means either the Program or any derivative work under copyright law: that is to say, a work containing the Program or a portion of it, either verbatim or with modifications and/or translated into another language. (Hereinafter, translation is included without limitation in the term "modification".) Each licensee is addressed as "you".

Activities other than copying, distribution and modification are not covered by this License; they are outside its scope. The act of running the Program is not restricted, and the output from the Program is covered only if its contents constitute a work based on the Program (independent of having been made by running the Program). Whether that is true depends on what the Program does.

1. You may copy and distribute verbatim copies of the Program's source code as you receive it, in any medium, provided that you conspicuously and appropriately publish on each copy an appropriate copyright notice and disclaimer of warranty; keep intact all the notices that refer to this License and to the absence of any warranty; and give any other recipients of the Program a copy of this License along with the Program.

You may charge a fee for the physical act of transferring a copy, and you may at your option offer warranty protection in exchange for a fee.

2. You may modify your copy or copies of the Program or any portion of it, thus forming a work based on the Program, and copy and distribute such modifications or work under the terms of Section 1 above, provided that you also meet all of these conditions:

- a) You must cause the modified files to carry prominent notices stating that you changed the files and the date of any change.
- b) You must cause any work that you distribute or publish, that in whole or in part contains or is derived from the Program or any part thereof, to be licensed as a whole at no charge to all third parties under the terms of this License.
- c) If the modified program normally reads commands interactively when run, you must cause it, when started running for such interactive use in the most ordinary way, to print or display an announcement including an appropriate copyright notice and a notice that there is no warranty (or else, saying that you provide a warranty) and that users may redistribute the program under these conditions, and telling the user how to view a copy of this License. (Exception: if the Program itself is interactive but does not normally print such an announcement, your work based on the Program is not required to print an announcement.)

These requirements apply to the modified work as a whole. If identifiable sections of that work are not derived from the Program, and can be reasonably considered independent and separate works in themselves, then this License, and its terms, do not apply to those

sections when you distribute them as separate works. But when you distribute the same sections as part of a whole which is a work based on the Program, the distribution of the whole must be on the terms of this License, whose permissions for other licensees extend to the entire whole, and thus to each and every part regardless of who wrote it.

Thus, it is not the intent of this section to claim rights or contest your rights to work written entirely by you; rather, the intent is to exercise the right to control the distribution of derivative or collective works based on the Program.

In addition, mere aggregation of another work not based on the Program with the Program (or with a work based on the Program) on a volume of a storage or distribution medium does not bring the other work under the scope of this License.

3. You may copy and distribute the Program (or a work based on it, under Section 2) in object code or executable form under the terms of Sections 1 and 2 above provided that you also do one of the following:

a) Accompany it with the complete corresponding machine-readable source code, which must be distributed under the terms of Sections 1 and 2 above on a medium customarily used for software interchange;
or,

b) Accompany it with a written offer, valid for at least three years, to give any third party, for a charge no more than your cost of physically performing source distribution, a complete machine-readable copy of the corresponding source code, to be distributed under the terms of Sections 1 and 2 above on a medium customarily used for software interchange; or,

c) Accompany it with the information you received as to the offer to distribute corresponding source code. (This alternative is allowed only for noncommercial distribution and only if you received the program in object code or executable form with such an offer, in accord with Subsection b above.)

The source code for a work means the preferred form of the work for making modifications to it. For an executable work, complete source code means all the source code for all modules it contains, plus any associated interface definition files, plus the scripts used to control compilation and installation of the executable. However, as a special exception, the source code distributed need not include anything that is normally distributed (in either source or binary form) with the major components (compiler, kernel, and so on) of the operating system on which the executable runs, unless that component itself accompanies the executable.

If distribution of executable or object code is made by offering access to copy from a designated place, then offering equivalent access to copy the source code from the same place counts as distribution of the source code, even though third parties are not compelled to copy the source along with the object code.

4. You may not copy, modify, sublicense, or distribute the Program except as expressly provided under this license. Any attempt otherwise to copy, modify, sublicense or distribute the Program is void, and will automatically terminate your rights under this License. However, parties who have received copies, or rights, from you under this License will not have their licenses terminated so long as such parties remain in full compliance.

5. You are not required to accept this License, since you have not signed it. However, nothing else grants you permission to modify or distribute the Program or its derivative works. These actions are prohibited by law if you do not accept this License. Therefore, by modifying or distributing the Program (or any work based on the Program), you indicate your acceptance of this License to do so, and all its terms and conditions for copying, distributing or modifying the Program or works based on it.

6. Each time you redistribute the Program (or any work based on the Program), the recipient automatically receives a license from the original licensor to copy, distribute or modify the Program subject to these terms and conditions. You may not impose any further restrictions on the recipients' exercise of the rights granted herein. You are not responsible for enforcing compliance by third parties to this License.

7. If, as a consequence of a court judgment or allegation of patent infringement or for any other reason (not limited to patent issues), conditions are imposed on you (whether by court order, agreement or otherwise) that contradict the conditions of this License, they do not excuse you from the conditions of this License. If you cannot distribute so as to satisfy simultaneously your obligations under this License and any other pertinent obligations, then as a consequence you may not distribute the Program at all. For example, if a patent license would not permit royalty-free redistribution of the Program by all those who receive copies directly or indirectly through you, then the only way you could satisfy both it and this License would be to refrain entirely from distribution of the Program.

If any portion of this section is held invalid or unenforceable under any particular circumstance, the balance of the section is intended to apply and the section as a whole is intended to apply in other circumstances.

It is not the purpose of this section to induce you to infringe any patents or other property right claims or to contest validity of any such claims; this section has the sole purpose of protecting the integrity of the free software distribution system, which is implemented by public license practices. Many people have made generous contributions to the wide range of software distributed through that system in reliance on consistent application of that system; it is up to the author/donor to decide if he or she is willing to distribute software through any other system and a licensee cannot impose that choice.

This section is intended to make thoroughly clear what is believed to be a consequence of the rest of this License.

8. If the distribution and/or use of the Program is restricted in certain countries either by patents or by copyrighted interfaces, the original copyright holder who places the Program under this License may add an explicit geographical distribution limitation excluding those countries, so that distribution is permitted only in or among countries not thus excluded. In such case, this License incorporates the limitation as if written in the body of this License.

9. The Free Software Foundation may publish revised and/or new versions of the General Public License from time to time. Such new versions will be similar in spirit to the present version, but may differ in detail to

address new problems or concerns.

Each version is given a distinguishing version number. If the Program specifies a version number of this License which applies to it and "any later version", you have the option of following the terms and conditions either of that version or of any later version published by the Free Software Foundation. If the Program does not specify a version number of this License, you may choose any version ever published by the Free Software Foundation.

10. If you wish to incorporate parts of the Program into other free programs whose distribution conditions are different, write to the author to ask for permission. For software which is copyrighted by the Free Software Foundation, write to the Free Software Foundation; we sometimes make exceptions for this. Our decision will be guided by the two goals of preserving the free status of all derivatives of our free software and of promoting the sharing and reuse of software generally.

NO WARRANTY

11. BECAUSE THE PROGRAM IS LICENSED FREE OF CHARGE, THERE IS NO WARRANTY FOR THE PROGRAM, TO THE EXTENT PERMITTED BY APPLICABLE LAW. EXCEPT WHEN OTHERWISE STATED IN WRITING THE COPYRIGHT HOLDERS AND/OR OTHER PARTIES PROVIDE THE PROGRAM "AS IS" WITHOUT WARRANTY OF ANY KIND, EITHER EXPRESSED OR IMPLIED, INCLUDING, BUT NOT LIMITED TO, THE IMPLIED WARRANTIES OF MERCHANTABILITY AND FITNESS FOR A PARTICULAR PURPOSE. THE ENTIRE RISK AS TO THE QUALITY AND PERFORMANCE OF THE PROGRAM IS WITH YOU. SHOULD THE PROGRAM PROVE DEFECTIVE, YOU ASSUME THE COST OF ALL NECESSARY SERVICING, REPAIR OR CORRECTION.

12. IN NO EVENT UNLESS REQUIRED BY APPLICABLE LAW OR AGREED TO IN WRITING WILL ANY COPYRIGHT HOLDER, OR ANY OTHER PARTY WHO MAY MODIFY AND/OR REDISTRIBUTE THE PROGRAM AS PERMITTED ABOVE, BE LIABLE TO YOU FOR DAMAGES, INCLUDING ANY GENERAL, SPECIAL, INCIDENTAL OR CONSEQUENTIAL DAMAGES ARISING OUT OF THE USE OR INABILITY TO USE THE PROGRAM (INCLUDING BUT NOT LIMITED TO LOSS OF DATA OR DATA BEING RENDERED INACCURATE OR LOSSES SUSTAINED BY YOU OR THIRD PARTIES OR A FAILURE OF THE PROGRAM TO OPERATE WITH ANY OTHER PROGRAMS), EVEN IF SUCH HOLDER OR OTHER PARTY HAS BEEN ADVISED OF THE POSSIBILITY OF SUCH DAMAGES.

END OF TERMS AND CONDITIONS



Wiesemann & Theis GmbH
Porschestraße 12
D-42279 Wuppertal

Mail info@wut.de
Web www.wut.de

Tel. +49 (0)202 2680-110
Fax +49 (0)202 2680-265