



# TPC6000-LC270T

V1.1

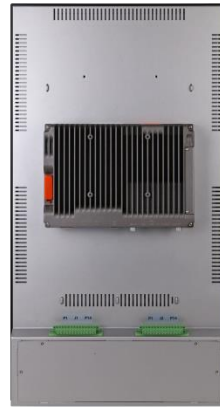
## Industrial Panel PC



Intel® Core™ i5-7200U/ Celeron™ 3855U/ Celeron™ J1900

Fanless design and embedded installation

Replaceable waterproof panel buttons

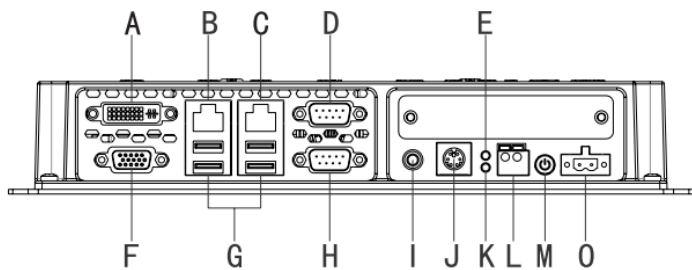
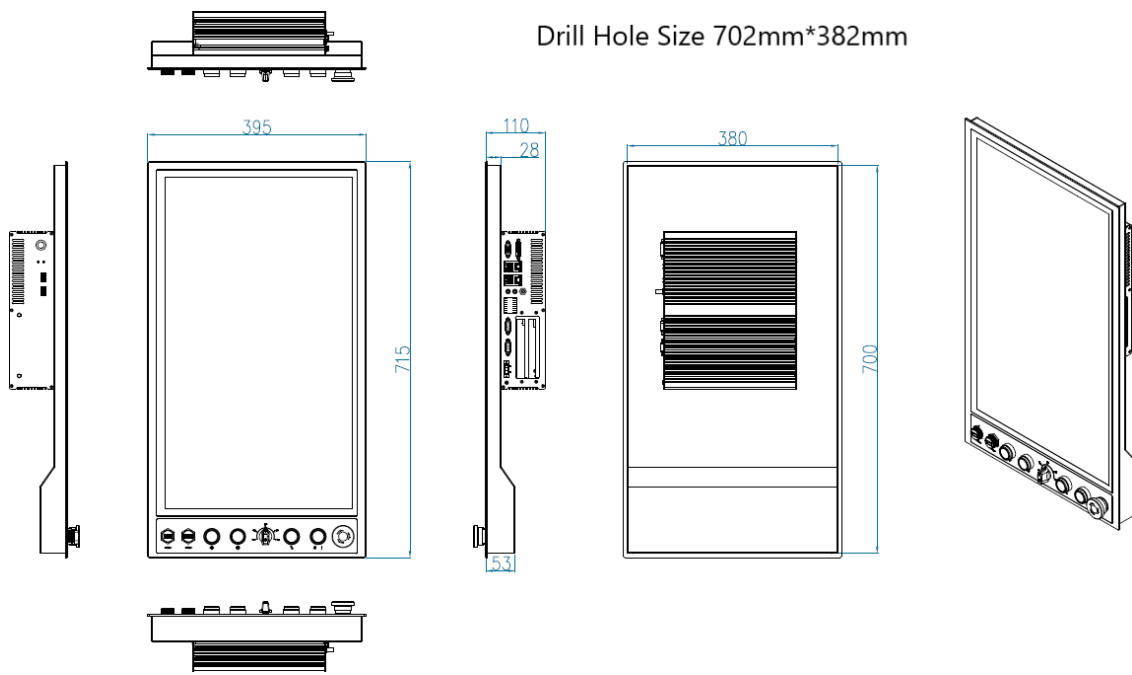


## Specification :

<b>Processor</b>	CPU	Intel® Celeron J1900 / Intel® Celeron™ 3855U / the 7 <sup>th</sup> generataion Intel® Core™ i5-7200U
	Main Frequency	Dual Core 1.6 GHz / Dual Core 2.5 GHz
	L3 Cache	2MB / 3MB
	Chip	Integrated PCH-LP
	Graphics	Intel HD Graphics 510 / Intel Graphics 620
	BIOS	AMI EFI 16Mbit
	Memory	Support DDR3L 1600 MHz, 1 * SO-DIMM Slot, Up to 8GB
<b>Display`</b>	LVDS	1920*1080
	VGA	1920 x 1200 @ 60Hz or 2048 x 1152 @ 60Hz with reduced blanking
	DVI-D	1920 x 1200 @ 60Hz or 2048 x 1152 @ 60Hz with reduced blanking
<b>Ethernet</b>	LAN1	Intel i210 Gbe LAN controller
	LAN2	Intel i210 Gbe LAN controller
<b>I/O</b>	Audio	Realtek ACL662, Line-out
	Serial port	2 x RS-232/485 (max 6 Serial port)
	USB	4 * USB3.0/2.0/1.1
	Watch dog	255
<b>Expansion slot</b>	MiniPCle	1 * full size PCle with SIM holder
	EasyBUS	N/A
<b>Storage</b>	HDD	1 x 2.5" HDD Bay ( max 600MB/s)
	SSD	1 * full size mSATA SSD
<b>OS</b>	Windows	Windows 7, Windows 7 Embedded, Windows8, Windows10
	Linux	Ubuntu, Fedora, CentOS
	Realtime OS	VxWorks, QNX
<b>Power</b>	DC Input	12-24VDC ±10%
	Adapter	12V, 5A
<b>LCD</b>	LCD Type	27" TFT LCD
	Resolution	1920 x 1080
	Colors	16.7MB
	Active Area	598 × 336mm (W x H)
	Backlight	LED
	MTBF (hour)	30000hrs
	Pixel Pitch (H x V)	0.248 x 0.248
	Luminance	300cd/m2
	Contrast Ratio	1000:1
Viewing Angle	(L)89/(R)89/(T)89/(B)89	
<b>Touchscreen</b>	Screen type	Capacitive touch screen
	Transmittance	> 81%
	Response Time	< 5ms (touch pen)
	Surface Hardness	Mohs Hardness 7H
	Click Life	250g / 100,000,000 times
Multi-touch	10 points	

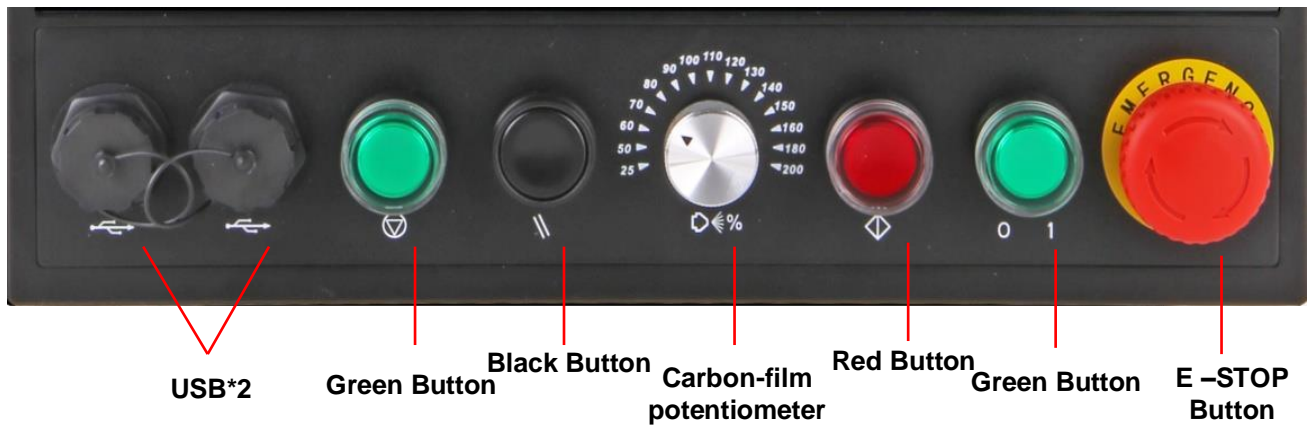
<b>Physical</b>	Materials	Magal
	Install	Wall mount, embedded mount
	Size (L*W*H)	715mm*395mm*110mm
	Weight	10.42KG
<b>Environmental</b>	Operating Temperature	-20 ~ 60° C ( -4 °F ~ 140 °F ) Use a wide temperature grade SSD
	Temperature	0 ~ 45° C ( 32 °F ~ 113 °F ) Use normal HDD/SSD
	Storage Temperature	-40 ~ 80° C ( -40 ~ 176 °F )
	Relative Humidity	5~95%
	Vibration	SSD applied: 1.5 Grms, IEC 60068-2-64, random, 5 ~ 500 Hz, 1 hr/axis
	Shock	SSD applied: 10 G, IEC 60068-2-64, Half-sine wave, 11ms duration
	EMC	CE/FCC Class A
	Certification	CCC
	Water-proof	Front panel IP65

**Dimensions : 715mm\*395mm\*110mm**



Interface Definition:

- |              |                   |
|--------------|-------------------|
| A: DVI-D     | H: COM2           |
| B: LAN1      | I: Line out       |
| C: LAN2      | J: PS/2           |
| D: COM1      | K: HDD LED        |
| E: Power LED | L: SW             |
| F: VGA       | M: Power Switch   |
| G: USB       | O: DC IN(12V/24V) |

**Button:**

**Notice:** This is just an example. You can customize the buttons based on your requirements.

**Order information :**

product code	description
TPC6000-LC215T-J1900	Intel J1900 CPU/ No memory / No hard disk /2*RS-232 /RS485 / 2 Gigabit Ethernet ports /4*USB2.0&3.0/DVI-D/VGA/DC IN 12V-24V
TPC6000-LC270T-3855U	Intel 3855U 1.6GHzCPU/No memory/No hard disk /2*RS-232/485/2 Gigabit Ethernet ports /4*USB2.0&3.0/DVI-D/VGA/DC IN 12V-24V
TPC6000-LC270T-7200U	Intel 7200U 2.5GHzCPU/No memory/No hard disk /2*RS-232/485/2 Gigabit Ethernet ports /4*USB2.0&3.0/DVI-D/VGA/DC IN 12V-24V

**Option items :**

Adapter	KPL-060F,12V60W
Power cable	PSB-10+ST3 ( L=1.8M,0.75×3 )
Memory	DDR3L-1333MHz, Up to 8 GB Memory Size
Storage	Support 2.5" , mSATA/HDD
processor	Intel® J1900, 3855U , i5-7200U