

KIEN1005G

5G Port Full Gigabit Unmanaged DIN-Rail Switches



» Overview

The KIEN1005G full Gigabit series are Kyland ultra low power consumption Green Ethernet series, equipped with 5 Gigabit ports, plug and play, its full load power consumption is as low as 3.4 watts. The solid metal housing with IP40 protection class, strong vibration-resistant mounting clip for DIN-Rail installation, redundant power inputs, wide operating temperature range from -40°C to 85°C, and excellent EMC performance give the switches a stable and reliable operating capability in the harsh industrial environments, and make them ideal for setting up high bandwidth Ethernet connections in power, video surveillance, factory automation, oil and gas and other industrial applications.

» Key Features

Green Ethernet solution with full load power consumption as low as 3.4W

5 Gigabit RJ45 ports

EMC performance reaches industrial level 4

IP40 protection class

CE, FCC certificates

» Product Specifications

> Technical Specification

- Standard

IEEE 802.3i (10Base-T)

IEEE 802.3u (100Base-TX)

IEEE 802.3ab(1000Base-T)

-Switch Properties

MAC Table: 1K

Packet Buffer: 1Mbit

Packet Forwarding Rate: 7.4Mpps

Switching Delay:<5 μ s

-Interface

Gigabit Port: 10/100/1000Base-T(X), RJ45 port

-LED

LEDs on Front Panel

Power LED:PWR1, PWR2

Interface LED:Link/ACT, Speed (RJ45 port)

-Power Requirements

Power Input:

24-48VDC

12-24VDC

Power Terminal:

5-pin 5.08mm-spacing plug-in terminal block

Power Consumption: 3.4W (full load),0.99W (no load)

Overload Protection: Support

Reverse Protection: Support

Redundancy Protection: Support

-Physical Characteristics

Housing: Metal

Cooling: Natural convection, fanless

Protection Class: IP40

Dimension: 30mm \times 115mm \times 91.5mm(W \times H \times D)

Weight: 0.46Kg

Mounting: DIN-Rail or Panel Mounting

-Environmental Limits

Operating Temperature: -40°C to +85°C

Storage Temperature: -40°C to +85°C

Ambient Relative Humidity: 5-95% (non-condensing)

-Quality Assurance

MTBF: 357,000 hrs

Warranty: 5 years

-Approvals

CE(EMC): Models with L2(24-48VDC)

FCC: Models with L2(24-48VDC)

-Industry Standard

EMI:

FCC CFR47 Part 15,EN55022/CISPR22,Class A

EMS:

IEC61000-4-2(ESD) ±8kV(contact),±15kV(air)

IEC61000-4-3(RS) 10V/m(80MHz–2GHz)

IEC61000-4-4(EFT) Power Port:±4kV;Data Port:±2kV

IEC61000-4-5(Surge) Power Port: ±2kV/DM, ±4kV/CM; Data Port:±2kV

IEC61000-4-6(CS) 10V(150kHz–80MHz)

Machinery:

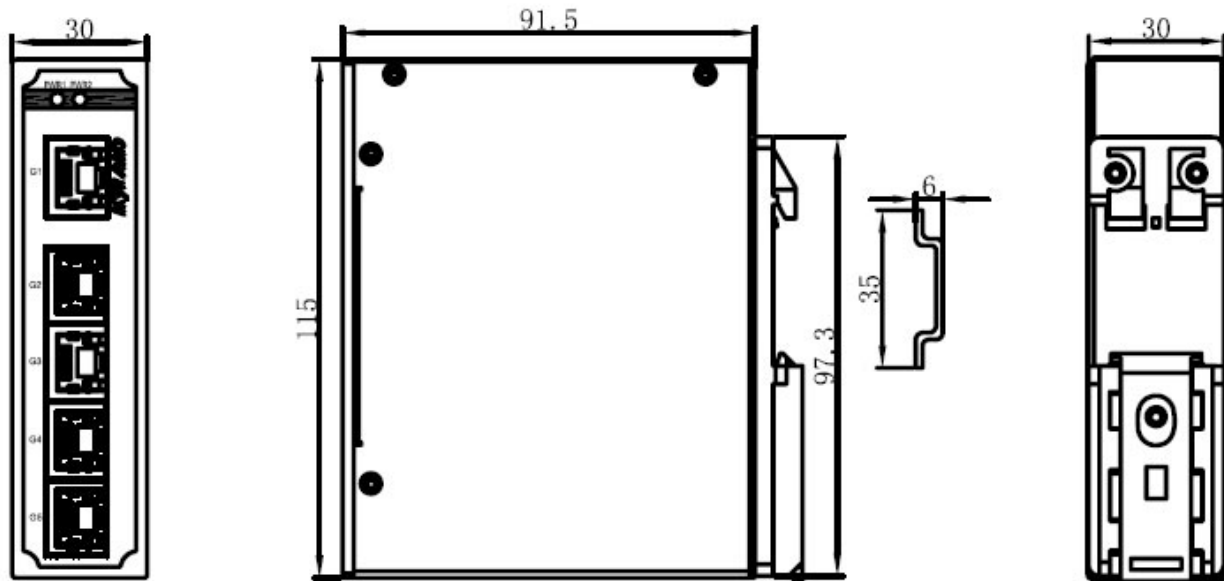
IEC60068-2-6 (Vibration)

IEC60068-2-27 (Shock)

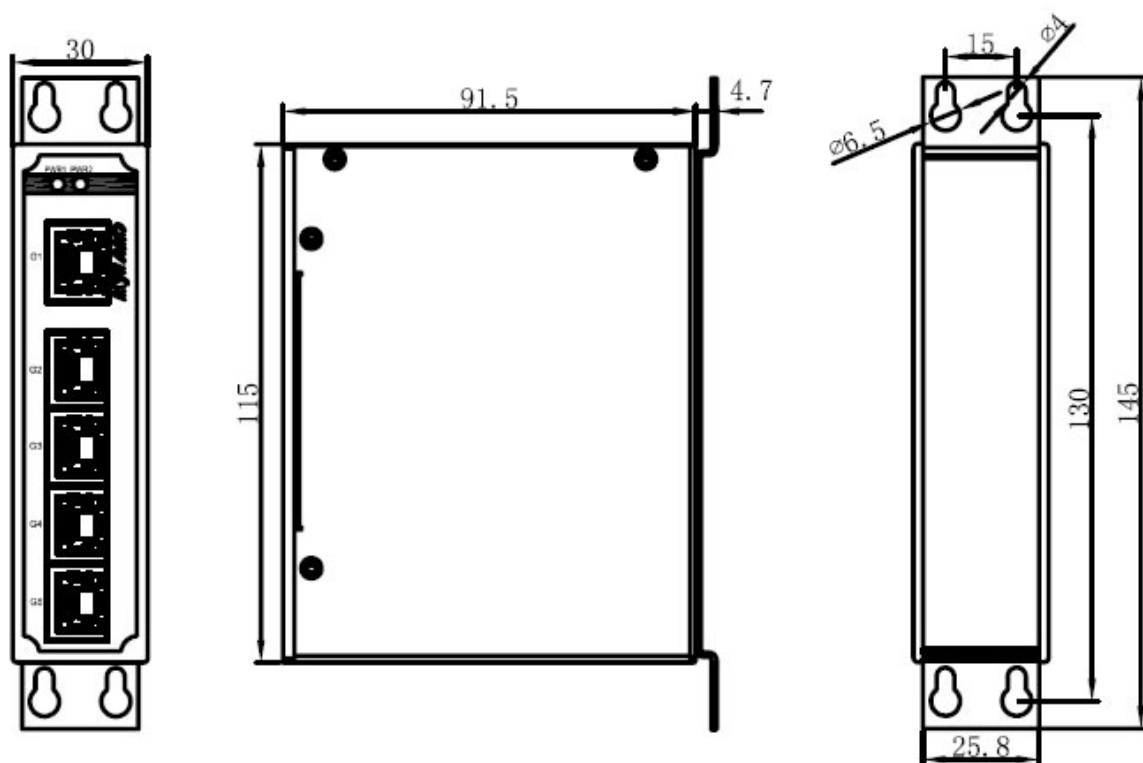
IEC60068-2-32 (Free Fall)

» Mechanical Drawing

DIN Rail Mounting



Panel Mounting



» Ordering Information

KIEN1005G-Ports-PS1-PS2

Ports

5GE 5 10/100/1000Base-T(X) RJ45 ports

PS

L2-L2 24-48VDC, redundant power inputs

L5-L5 12-24VDC, redundant power inputs

Accessories

DT-BGAZ-01 Panel for panel mounting

DT-FCZ-RJ45-01 Dustproof cover for RJ45 port

Version:2018-02-12 09:58:21